

WIN  CARE

**MANGAR**

SIT-U-UP

USER INSTRUCTIONS

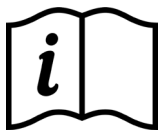


## Intended Use

The Sit-u-Up:

- Provides adjustable back support for people who require to sleep in a more upright position. **NOTE:** Do not use the Sit-u-Up when for medical reasons it is critical that an upright sleeping position is maintained (See 'WARNINGS').
- Provides assistance for those with limited upper body strength wishing to lift themselves to a reclined or sitting position.
- Can be used simply as a means of providing additional comfort.

The Sit-u-Up has been designed to be placed on a bed without the use of securing straps. Power is provided by the Mangar Airflo 12 compressor.



**PLEASE READ** the separate Airflo 12 compressor instructions before fitting and using your Sit-u-Up.

## Standard Contents

1 x Sit-u-Up. 1 x Spreader Bar  
 1 x Headrest 1 x User Instructions.  
 1 x Overlay (inc. foam, quilt and cover)

## Fitting

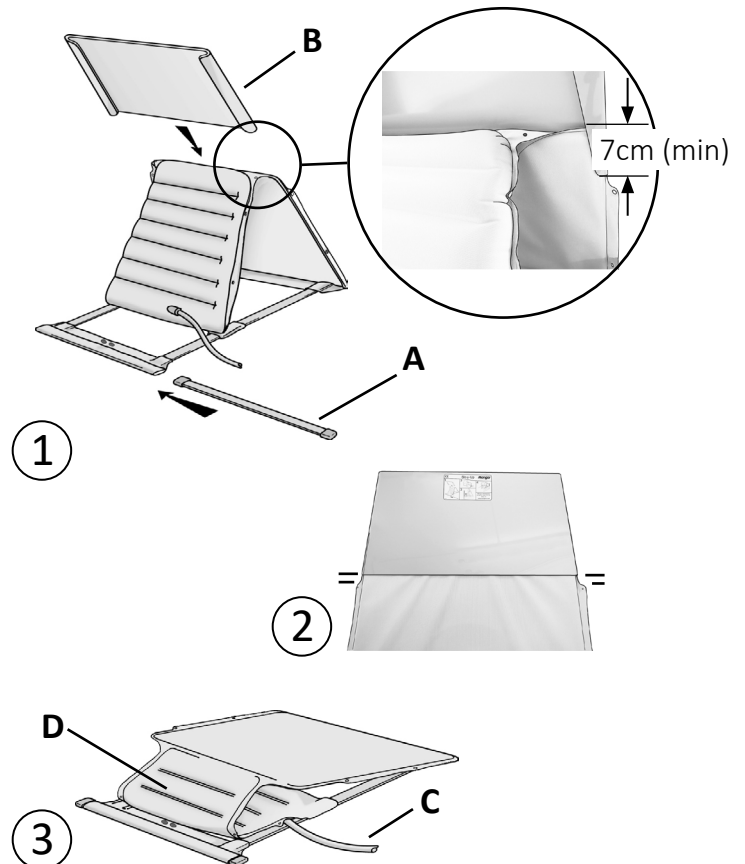
- Insert the spreader bar (**A** fig.1).
- Slide the headrest (**B** fig.1) as far down the backrest as it will go, ensuring that the bottom edge of the headrest is a minimum of 7cm down from the top of the backrest (detail fig. 1) and an equal distance from the tab on each side as indicated (Fig. 2).
- Place the Sit-u-Up on the bed with the spreader bar positioned against the headboard. Lead the air hose (**C** fig.3), to the side of the bed where the Airflo 12 compressor is to be placed and fold the strut (**D** fig.3) towards the headboard.

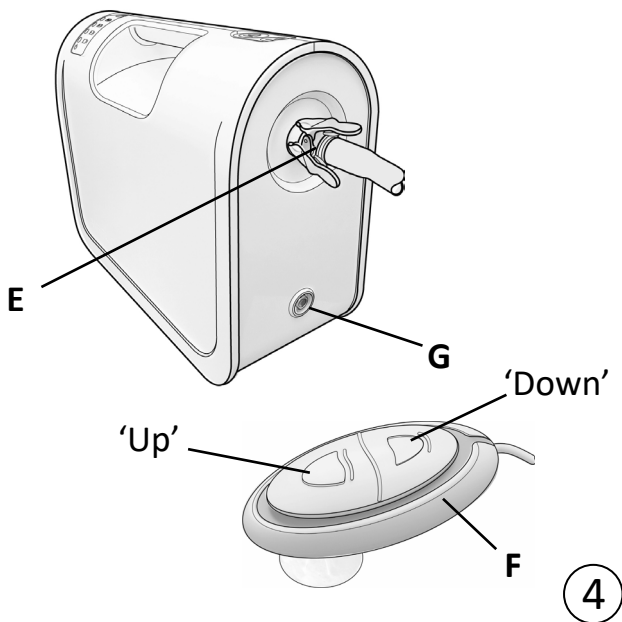
**FOR YOUR SAFETY:** Ensure that the Airflo 12 compressor, air hose and hand control lead are kept tidy.




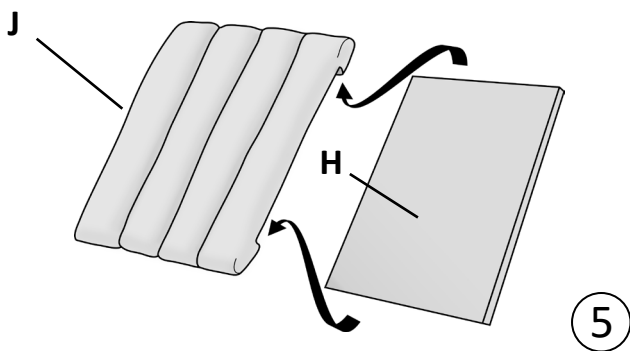
## WARNINGS

- Ensure that you have read and fully understand these and the separate Airflo user instructions before using the equipment.
- Where a medical condition dictates that an upright sleeping position is critical, the Sit-u-Up must not be used as an air leak in the system would cause the backrest to loose height over the course of a night.
- Ensure that when in use, the Airflo, the hand control lead and air hose are laid out in such a way as to avoid any risk of tripping or strangulation.
- Do Not use any other air supply to inflate the Sit-u-Up.
- The Sit-u-Up should only be used for it's stated purpose and should not be modified in any way.
- A clinical assessment must be conducted prior to use for users with reduced or limited balance.



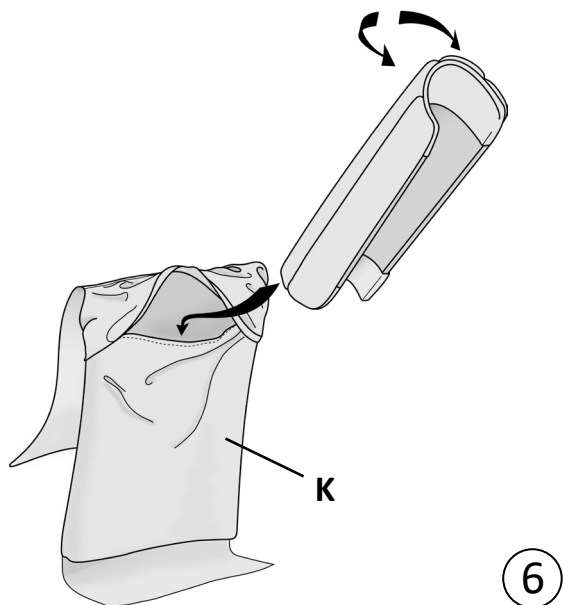


- Connect the air hose from the Sit-U-Up to the Airflo 12 compressor air outlet socket (E fig. 4).
- Connect the Push Button Hand Control (F) to the socket (G).
- Place the Airflo 12 by the side or under the bed, in an out of the way position.
- Inflate the Sit-u-Up by pressing 'up'  on the hand control (see separate Airflo 12 compressor instructions).



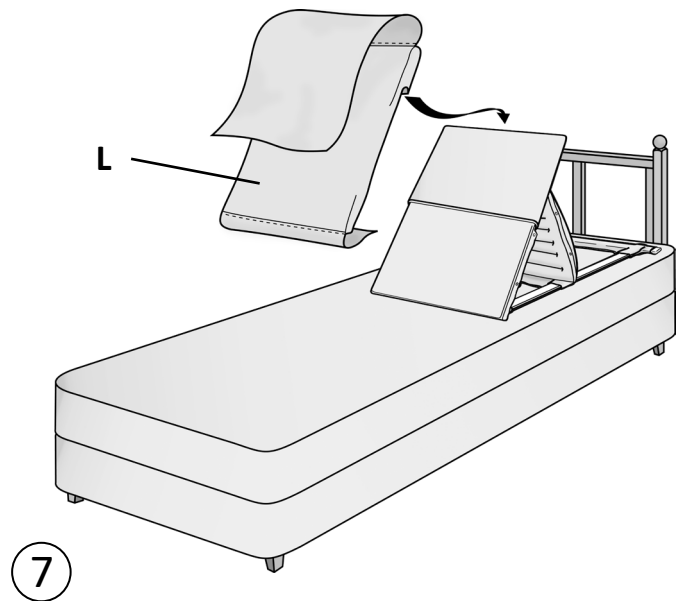
### *Assembling the overlay*

- Insert the foam (H Fig.5) into the quilt (J) as indicated.





- Fold the quilt and foam as indicated (Fig.6) and insert them into the cover (K).

- Fit the assembled overlay (**L** fig.7) to the Sit-u-Up by sliding it over the top of the headrest.
- Tuck the lower flap (**M** fig.8) underneath the Sit-u-Up.
- Position your pillow on the Sit-u-Up as indicated (fig.8) and wrap the flap (**N**) completely around the pillow to hold it in place.



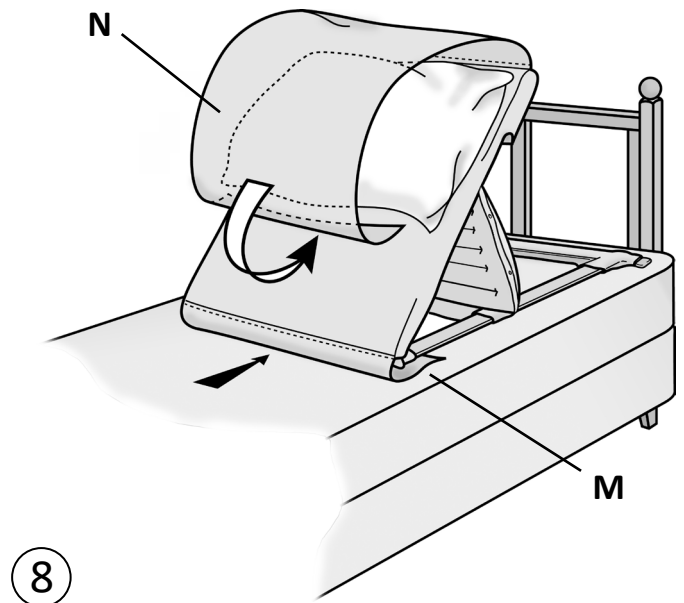
## Operating

- To raise the Sit-u-Up, press 'up'  on the hand control. Release the button to stop at any point.
- To lower the Sit-u-Up, press 'down'  on the hand control.

## Maintenance

Other than routine cleaning and disinfecting, the Sit-u-Up is maintenance free.

WinnCare recommends that your Sit-u-Up is inspected annually by either your supplier or other suitably qualified person. If required, WinnCare can provide the above inspection within an annual service contract (UK only). Please contact our Customer Service Department for further details on Freephone 0800 2800 485.



## Routine Cleaning

Remove the overlay and inflate the Sit-u-Up. Sponge clean with a non abrasive proprietary liquid cleaner or disinfectant and dry thoroughly. **Do not dry using hot air.**

The overlay cover can be machine washed up to 40°C; low heat tumble dried and medium heat ironed. **Do Not dry clean or use bleach.**

The quilt can be machine washed up to 40°C and tumble dried. **Do not dry clean.**

The foam pad can be cleaned with a general purpose detergent and water using a clean disposable cloth. Dry using disposable paper towels and allow to dry thoroughly before inserting back into quilt.

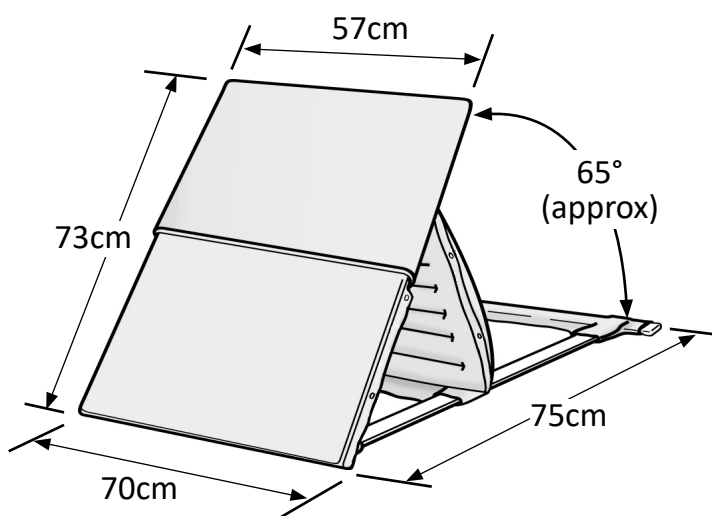
## Disinfecting

The overlay should be removed and the Sit-u-Up fully inflated. The Sit-u-Up should be pre-cleaned by washing with detergent and water and then disinfected using a 1:10 solution of household liquid bleach and water (1 part bleach to 10 parts cold water). Leave the solution on the Sit-u-Up for approximately 10 minutes before thoroughly rinsing off with clean cold water. **Do not dry using hot air.**

Clean the foam as in 'Routine Cleaning'. Prepare a 1,000 p.p.m. solution of Chlor-Clean and wipe over the foam with a clean disposable cloth. If a white film is left on the foam, wipe over with a disposable cloth rinsed in clean water. Allow to dry thoroughly before inserting back into the quilt.

## Storage

Ensure that the Sit-u-Up is thoroughly dry before storing. Store deflated in a dry place. Keep these instructions in a safe place for future reference.



## Specifications

Rated Load:	150kg (24st)
	(Use with heavier persons will not damage the product, but full lift may not be achieved)
Weight of Sit-u-Up:	4.8kg
Air hose length:	2m
Maximum inlet pressure:	0,35 bar (5psi)
Max. temperature:	50°C

## Warranty

The guarantee is given against defects in material and workmanship and comprises piece, parts and labour. The guarantee is not valid in the case of fair wear and tear, wilful damage, common neglect, misuse or unauthorised alteration or repair by unqualified persons.

The following statements do not affect the consumer's statutory rights. This product is sold on the understanding that in the event of any defect of manufacture or material appearing within the warranty period, the defect will be rectified free of charge providing that:

- (a) Reasonable evidence is provided (e.g. purchase invoice, delivery note) that the claim is being made within the warranty period.
- (b) The defect is not attributable to accidental damage (either in transit or otherwise), misuse or unauthorised repair.

Sit-u-Up serial number: .....

Date of purchase: .....

Invoice/Delivery note number: .....

We strive to provide our customers with reliable and durable products of the highest quality. In addition to our standard warranty, and for added peace of mind, our Customer Service Department offers an **Annual Service package**.

To find out more about this service please call our Customer Service Department on **Freephone 0800 2800 485**.

Mangar International, trading as Winncare, reserves the right to alter product specifications and/or any of the information contained within this document without notice.

## Declaration of Conformity

Mangar International as manufacturer hereby declares that the following products conform to the:

- Applicable provisions of Regulation (EU) 2017/745 of the European Parliament and of the Council of 5 April 2017
- UK Medical Devices Regulations 2002

and following standards:

BS EN 60601-1-6:2010 and A1:2015.

BS EN 60601-1:2006 and A12:2014.

BS EN 60601-1-11:2015.

BS EN 62366-1:2015.

Trade name: Airflo 12 with Sit - U - Up

Basic UDI-DI: 5020833MPCA130500PD

Product Classification: ISO 9999:2016, 12 36 18 Assistive products for lifting persons

Classification: MDR Class 1



21.09.2020

Place and Date

Simon Claridge, CEO



SIT-U-UP

ENGLISH

# WIN CARE

**WinnCare is a trading name of Mangar International Ltd.**

Mangar International Ltd, Presteigne, Powys,  
Wales, LD8 2UF

United Kingdom

Tel: +44 (0)1544 267674

Fax: +44 (0)1544 260287

[enquiries@winnCare.uk](mailto:enquiries@winnCare.uk)

[mangarhealth.com](http://mangarhealth.com)



**WINNCARE France**  
4, Le Pas du Château -  
85670 Saint-Paul-Mont-  
Penit - France  
Tél : +33 (0)2 51 98 55 64  
[www.winnCare.fr](http://www.winnCare.fr)

**EC REP**