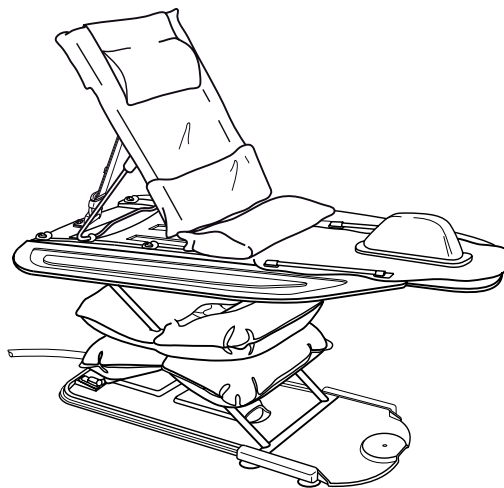




Mangar
INTERNATIONAL

Surfer Bather

user instructions



English

Deutsch

Français

Nederlands

Simple solutions for everyday independence



Ensure that you read and understand this instruction manual before using this product. Failure to follow the instructions and safety precautions in this manual can result in damage and/or serious injury.



Please keep these instructions in a safe location for future reference

WARNINGS (Risk of possible injury or other serious adverse reactions)

- The Surfer Bather has been designed to be used in a conventional bath. Some types of corner bath and 'spa' baths which produce multi-jets of water, are not suitable for its use, as the suction cups may not adhere properly. If the Surfer Bather is to be used in a different bath from that in which it is normally used, check for suitability of use and that the suction cups adhere properly.
- Ensure that the locking catches are in the locked position before placing the Surfer Bather in the bath.
- Ensure that any oil and soap residue is removed from the Surfer Bather and bath. Pay particular attention to the suction cups and floor of the bath. Ensure that the suction cups adhere firmly to the bath before each use. The suction cups may not adhere to the surface in baths that have been re-enamelled or that have rippled or textured surfaces. Do not use if the suction cups do not adhere to the bath.
- Ensure that the child's limbs are well within the platform area before raising or lowering the Surfer Bather.
- NEVER leave a child unattended whilst they are on the Surfer Bather.
- The Surfer Bather should only be used as a bathing aid, NEVER use it out of a bath. NEVER use the Surfer Bather to climb in or out of the bath. NEVER use it as a step, stand or as a device for lifting items.
- Do not use the Surfer Bather as a support to steady yourself when cleaning the bath or when reaching into the bath to retrieve items, as doing so may place an uneven or unbalanced load on the Surfer Bather causing it to become unstable.
- The Surfer Bather should only be used for its stated purpose and should not be modified in any way.
- Do not operate the Airflo compressor in the presence of flammable anaesthetic mixtures with air, oxygen or nitrous oxide, as these mixtures can create a combustible environment leading to the potential for fire or even an explosion in the presence of a spark.
- Ensure that when in use, the Airflo compressor, the hand control lead and air hose are laid out in such a way as to avoid any risk of tripping or strangulation.
- Do not allow children to play with the Surfer Bather or Airflo as operation of the equipment in an uncontrolled or unsupervised situation may lead to personal injury and/or damage.
- To avoid personal injury during use and/or damage to the equipment, keep animals away from the Surfer Bather and Airflo compressor.

- Before each use, ensure that there are no obvious signs of damage or lose suction cups. If in doubt, do not use and seek advice from your supplier.
- Remove any non slip mats from the area where the suction cups will be positioned.
- To avoid the risk of electric shock, NEVER recharge the battery in the bathroom, outdoors or in a damp environment.
- Do not use any other air supply to inflate the Surfer Bather.

CAUTIONS (Risk of possible problems including device malfunctions, device failure, damage to the device or damage to other property)

- Only recharge the battery with the Mangar International battery charger supplied with the Airflo compressor.
- Disconnect the Airflo compressor from the Surfer Bather before transporting so as to avoid accidental inflation.
- Do not use bath additives containing peanut oil as this can damage the suction cups. If such additives have been used, ensure that the suction cups are thoroughly wash and rinsed to remove residues.

For further assistance or information please contact our customer service department by calling +44(0)1544 267674 or email sales@mangar.co.uk

Table of Contents

Safety Information	2
Warnings	2
Cautions	3
Product description	5
Intended use	5
Standard product contents	5
Installation and use	6
Fitting/Adjustment of backrest and platform pad	6
Fitting the Surfer Bather in the bath	7
To raise and lower the Surfer Bather	7
Maintenance and care	8
To remove the Surfer Bather from the bath.....	8
Routine cleaning.....	8
Disinfecting	8
Refitting the netting to the backrest frame after laundering	9
Transportation/Storage.....	9
Disposal/Recycling.....	9
List of parts	10
To look after your Surfer Bather	10
Troubleshooting	11
Specifications.....	11
Appendices	12
Symbols used.....	12
Warranty.....	12
Declaration of conformity	13

Intended use

The Surfer Bather is a pneumatically powered elevating bathing platform designed to assist in the bathing of children. The Surfer Bather is particularly suitable for children with limited upper body stability. The adjustable backrest, together with straps if necessary, provides full support.

Power is provided by the Mangar International Airflo Mk3 battery powered compressor. PLEASE READ the separate Airflo Mk3 compressor instructions before using your Surfer Bather.

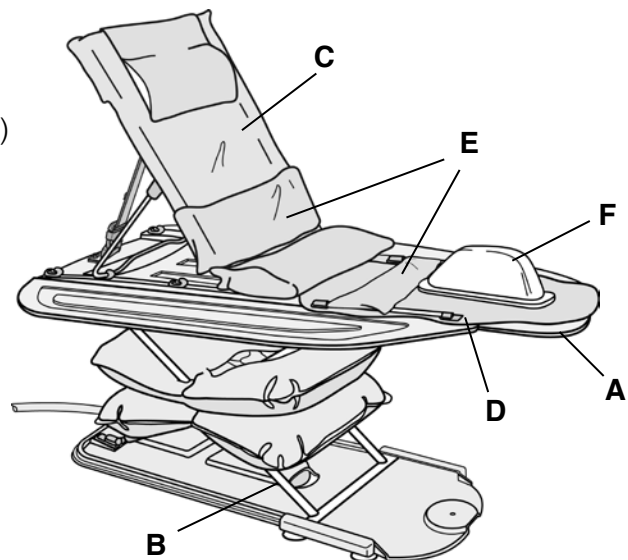


Standard Contents

- 1 x Surfer Bather platform (A).
- 1 x Scissor lift (including bellows and base board) (B)
- 1 x Backrest (including Headrest pad) (C).
- 1 x Platform Pad with rails (D).
- 2 x Support straps (E).
- 1 x Operating Instructions.
- 1 x Airflo Mk3 compressor (inc. user instructions).

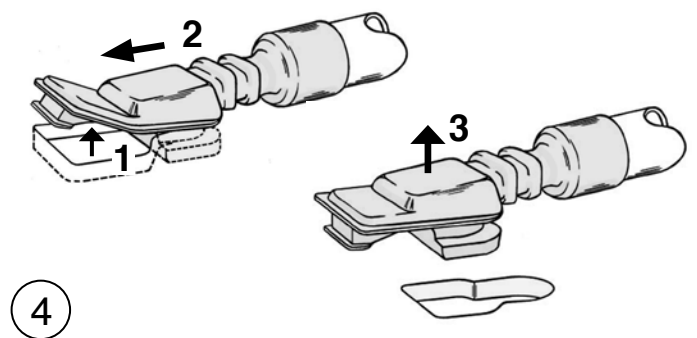
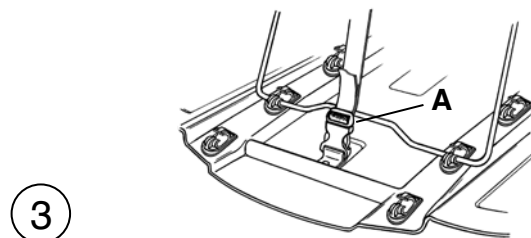
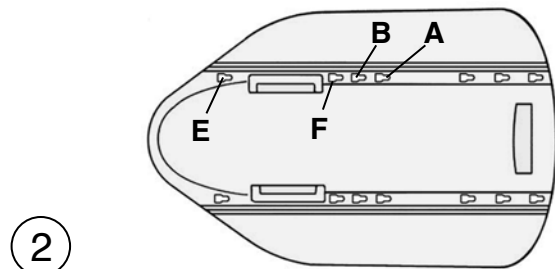
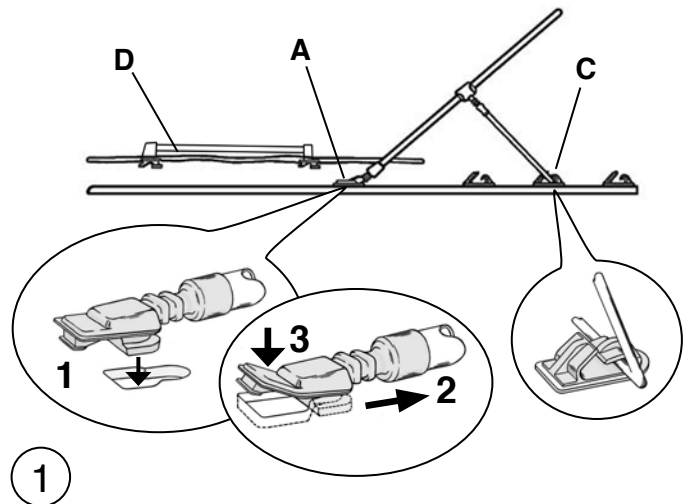
Optional Items

- Head Support (not shown).
- Pommel (F).
- Shower Tray Clips (not shown).



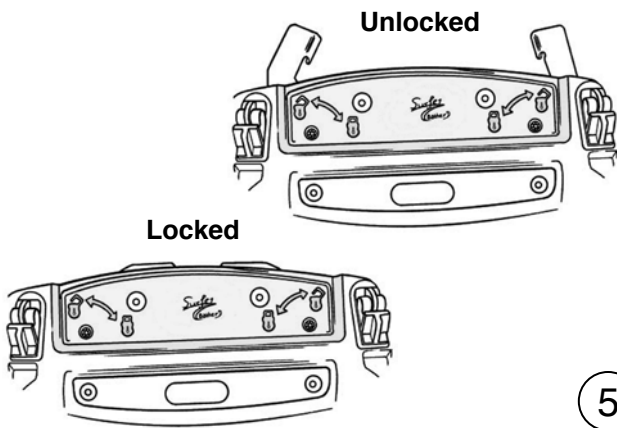
Fitting/Adjustment of Backrest and Platform Pad

- The backrest and the platform pad are secured to the platform by means of plastic lugs inserted into keyhole slots. Locate and slide the lug into the slot as indicated (1 & 2 fig. 1), press the locking tag down so that it 'clicks' into place (3 fig. 1).
- NOTE:** The rear lugs on the platform pad do not have locking tags.
- Fit the backrest hinges to the slots (A or B fig.2)
- NOTE:** If the forward slots (B) are to be used, transfer the two 'blanking plugs' to the rear slots (A).
- Adjust the backrest angle by locating the support bar in any of the three catches (C fig. 1). The backrest can be fully lowered by releasing the support bar from the catches and allowing the backrest to lie flat.
- Adjust the backrest angle to the required position and connect the buckle on the backrest restraint strap (A fig. 3). Tension the strap in order to lock the backrest angle. If the backrest angle needs to be changed, unfasten the buckle before resetting the angle. Re-connect the buckle and tighten the strap to lock the backrest at its new angle.
- Fit the platform pad (D fig. 1) by simultaneously inserting the plastic lugs into the slots (E & F fig. 2). **NOTE:** The rear lugs on the platform pad do not have locking tags.



To unfasten the plastic lugs in order to remove the backrest and platform pad:-

- Locate the locking tag from the underside of the platform and press it up (1 fig. 4).
- Slide and lift the lug clear of the slot (2 & 3 fig. 4).



5

PLEASE NOTE: The platform flaps may become stiff following long periods of storage, this can be cured by fully opening and then closing each flap, repeating as necessary until each flap moves easily.

Fitting the Surfer Bather in the bath

WARNING: Ensure that the locking catches are in the locked position before placing the Surfer Bather in the bath (fig. 5).

- Place the deflated Surfer Bather in the bath so that the rear of the platform is as close to the non-tap end of the bath as it will go without resting on the curve of the bath (**A** fig. 6). **Press down on the Surfer Bather to secure the base board suction cups firmly to the bath.**
- Fully inflate the bellows and check that the narrow end of the platform has adequate clearance, between it and any overhanging taps (**B** fig. 6).

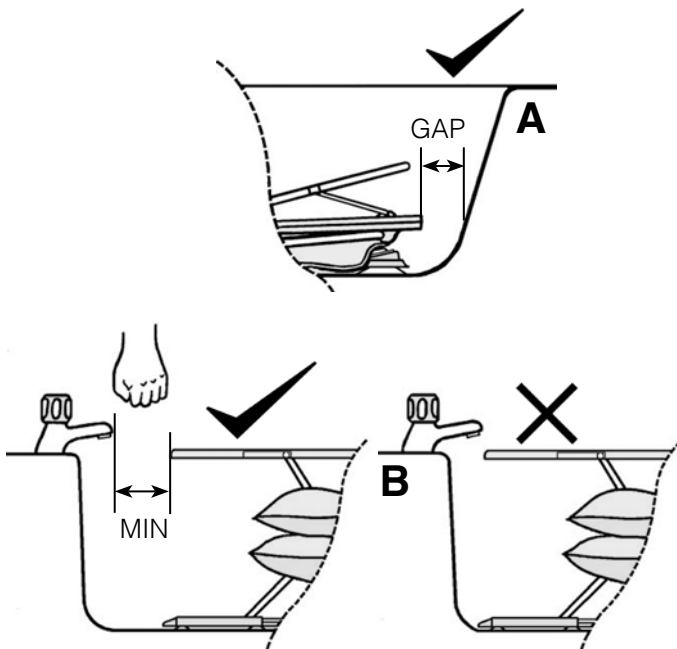
WARNING: Always ensure that the suction cups are correctly positioned and are adhering to the bath before use.

To raise and lower the Surfer Bather

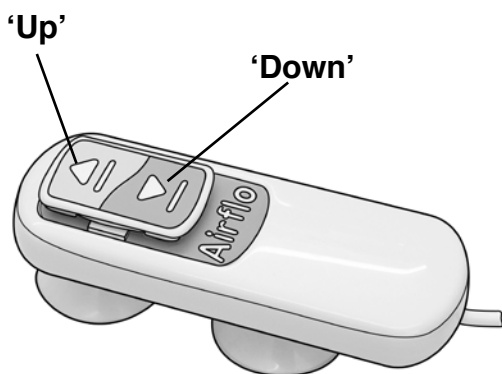
WARNINGS: Ensure that the child's limbs are well within the platform area before raising or lowering the Surfer Bather.

NEVER leave a child unattended whilst they are on the Surfer Bather.

- To raise the Surfer Bather, press 'up' on the Airflo hand control (fig. 7).
- To stop at any point, release the 'up' button.
- To lower the Surfer Bather, press 'down'. **NOTE:** If the Surfer Bather platform rises after reaching the bottom of the bath, press the down button again and keep it held until the remaining air is expelled from the bellows.



6



7

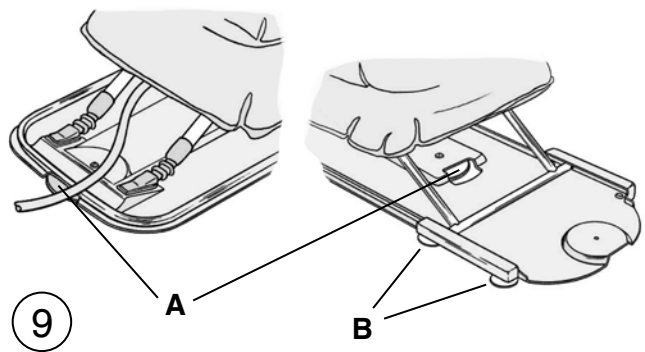
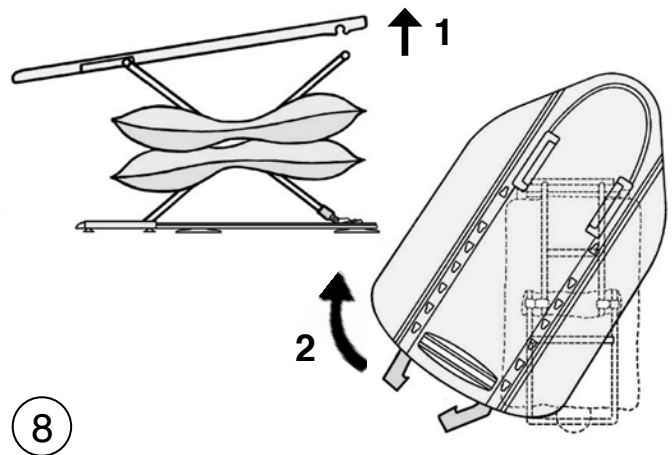
To remove the Surfer Bather from the bath

- Drain the bath water.
- To aid removal from the bath, the platform should be separated from the scissor lift. Partially elevate the Surfer Bather and pull the locking catch levers fully out (see fig. 5) to unlock the platform from the scissor lift. Unclip the platform from the scissor lift (**1** fig. 8). Swivel the platform as indicated (**2** fig. 8) to disengage the bars from the slots on the underside of the platform.

NOTE: The locking catches must be released before attempting to separate the platform from the scissors.

- Lift the rim on each of the two large suction cups on the base board to release the suction between suction cup and bath (**A** fig.9) and remove the scissor assembly from the bath.
- The four small suction cups on the base board (**B** fig.9) will release their suction as the scissor assembly is lifted from the bath.

NOTE: Never attempt to remove the Surfer Bather from the bath without first breaking the suction under each of the two large base board suction cups or damage will result.



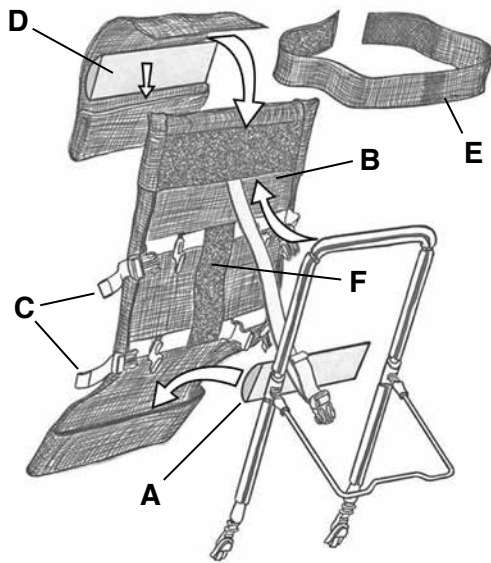
Routine Cleaning

After use, fully inflate and rinse with clear water to remove soaps and impurities. The Surfer Bather can be cleaned with a proprietary liquid cleaner or disinfectant; wiped dry or left to air dry - **Do not dry using hot air**. Remove the foam inserts and launder the backrest netting and straps in accordance with the care label instructions. The foam inserts should be hand washed in warm water with detergent and thoroughly rinsed in clean water to remove all soap deposits. Gently squeeze the foam to remove surplus water and leave to air dry.

The Platform Pad should be hand washed only, in warm water using a mild detergent, thoroughly rinsed in clean water and then air dried (The surface of the pad can be wiped to remove excess water - do not wring or put in spin drier) - **Do not dry using hot air**.

Disinfecting

All components should be pre-cleaned (with the bellows fully inflated) by washing with detergent and water and then disinfected using a proprietary sterilizing solution or any antibacterial cleaner. Rinse after disinfecting - **Do not dry using hot air**.



10

Re-fitting the Netting to the Backrest Frame after laundering

- Insert the thigh support foam (**A** fig.10) in the netting lower pocket.
- Insert the backrest frame into the pocket of the netting (**B**) and fasten the four buckles (**C**).
- Tighten or slacken the buckle straps in order to adjust the tension of the netting on the backrest frame.
- Insert the headrest foam (**D**) in the pocket of the headrest netting and if required, Velcro® the headrest to the backrest.
- The chest strap (**E**) can be attached to the Velcro® panel (**F**) as required.

Transportation / Storage

Disconnect the Airflo compressor from the Surfer Bather before transporting so as to avoid accidental inflation.

Ensure that the Surfer Bather is clean and thoroughly dry before storing. Failure to thoroughly dry the Surfer Bather before storage may result in a build-up of mould on the surface of the product leading to a weakening of the fabric and consequential invalidation of the product warranty. Store in a dry environment.

To maintain the Airflo battery when being stored for long periods, put the Airflo on charge overnight every 3 months.

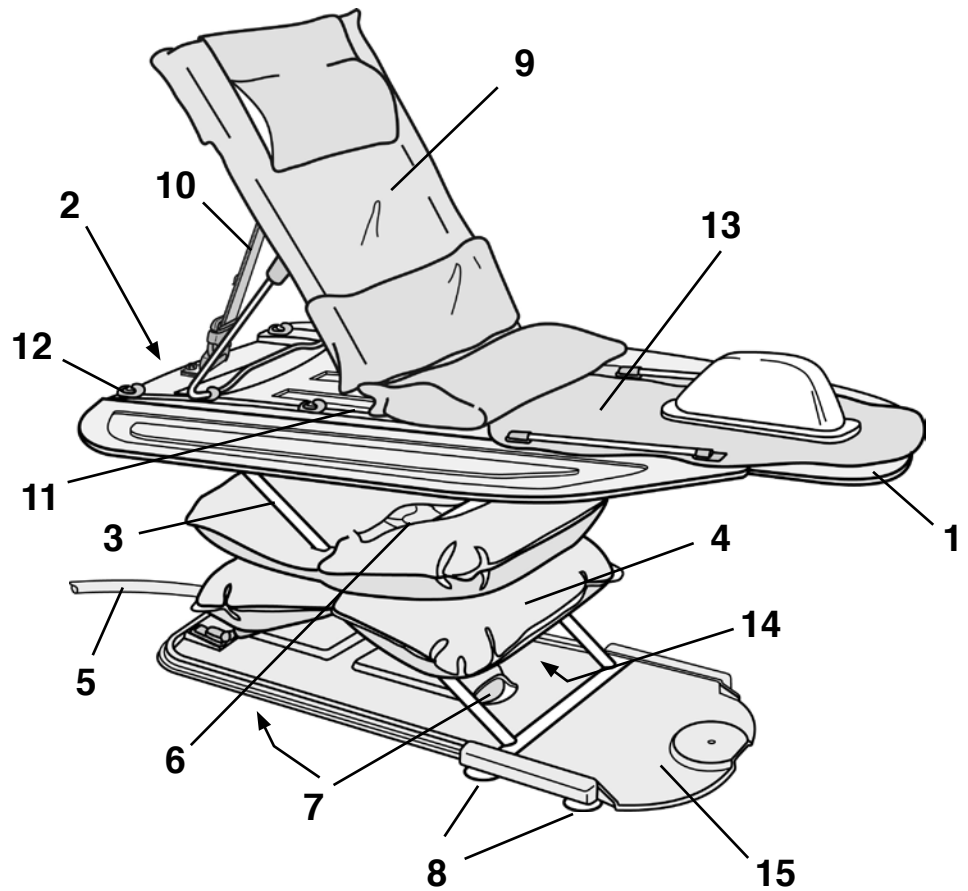
Disposal / Recycling

When the Surfer Bather has reached the end of its working life, dispose of it at your local household waste recycling centre (civic amenity site).

When the Airflo has reached the end of its working life, remove the batteries for safe disposal in accordance with your local council guidelines, and dispose of the Airflo at your local household waste recycling centre (civic amenity site).

List of Parts

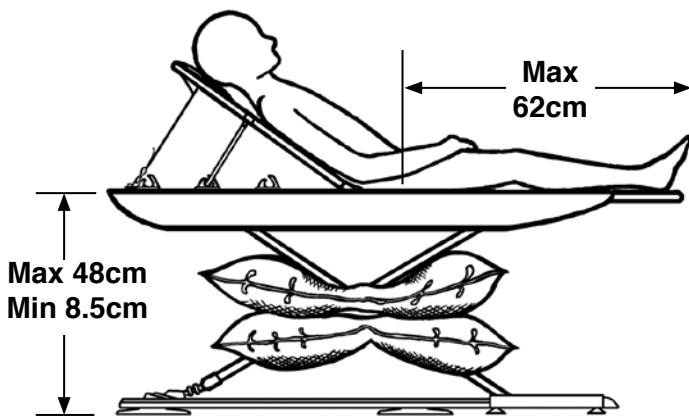
1. Platform
2. Platform Catch
3. Scissor assembly
4. Bellows
5. Air hose
6. Bellows Buckle
7. Large suction cups
8. Small suction cups
9. Backrest assembly
10. Backrest Restraint Strap
11. Backrest hinge
12. Backrest Catch
13. Platform Pad
14. Relief valve
15. Base Board



To look after your Surfer Bather regularly check that:

- The bellows buckle (6) is properly fastened and that the bellows (4) are undamaged.
- The platform catches (2) are secure and undamaged.
- The air hose (5) is undamaged.
- Both large suction cups (7) are undamaged and secure.
- The four small suction cups (8) are undamaged and secure.
- The relief valve (14) is not blocked and vents air when the bellows are fully inflated.
- That the backrest hinges (11) and catches (12) are undamaged and securely located within the slots.
- The Surfer Bather and accessories are kept clean.





Troubleshooting	
Problem	Remedy
<ul style="list-style-type: none"> Surfer Bather fails to inflate or will not stay at the chosen height. 	<ul style="list-style-type: none"> Ensure that the air hose from the Surfer Bather is connected to the Airflo. Check that there are no kinks in the air hose and that the air hose is not trapped. Check that the pressure relief valve is operating properly.
<ul style="list-style-type: none"> Compressor does not run when 'Up' is selected on the hand control. 	<ul style="list-style-type: none"> Ensure that the air hose from the Surfer Bather is connected to the Airflo.
<ul style="list-style-type: none"> Compressor keeps stopping when trying to inflate the Surfer Bather. 	<ul style="list-style-type: none"> Check that there are no kinks in the air hose.
<ul style="list-style-type: none"> Battery State Indicator light flashing 'Red/ Green'. 	<ul style="list-style-type: none"> The current overload cut-out has tripped. Leave for 3 seconds to self reset.
<ul style="list-style-type: none"> Battery State Indicator light flashing 'Red'. 	<ul style="list-style-type: none"> The compressor's internal temperature cut-out has tripped. Leave the Airflo for 60-90 minutes to cool.



Specifications

Maximum user weight:	50 kg
Recommended Max. user height:	135 cm
Platform height (min/max):	8.5 cm – 48 cm
Backrest angle:	From flat to 70°
Platform assembly weight:	4.2 kg
Scissor Lift assembly weight:	5.5 kg
Total weight in carrying bag:	9.7 kg
Maximum Air Pressure:	0.35 bar

Symbols used in the instruction manual and Surfer Bather

	Warning - Read the instructions before use
	'Up' button
	'Down' button
	Type BF equipment (protection against electric shock)

Warranty

The guarantee is given against defects in material and workmanship and comprises piece, parts and labour. The guarantee is not valid in the case of fair wear and tear, wilful damage, common neglect, misuse or unauthorised alteration or repair by unqualified persons.

The following statements do not affect the consumer's statutory rights. This product is sold on the understanding that in the event of any defect of manufacture or material appearing within the warranty period, the defect will be rectified free of charge providing that:

- (a) Reasonable evidence is provided (e.g. purchase invoice, delivery note) that the claim is being made within the warranty period.
- (b) The defect is not attributable to accidental damage (either in transit or otherwise), misuse or unauthorised repair.

Surfer Bather serial number:
Date of purchase:
Invoice/Delivery note number:

Mangar International reserves the right to alter product specifications and/or any of the information contained within this document without notice.

DECLARATION OF CONFORMITY

This is to certify that :-

The Surfer Bather - HSA0141
and its accessories

complies with:-

*The requirements for Class 1 devices of the Medical Devices
Directive 93/42/EEC as amended by 2007/47/EC*

Signed:



Date: August 2010

A. Barker Managing Director

Mangar International
Presteigne, Powys, Wales, UK. LD8 2UF
tel: +44 (0)1544 267674
fax: +44 (0)1544 260287
headoffice@mangar.co.uk
www.mangar.co.uk

Mangar
INTERNATIONAL





Lesen Sie sich diese Bedienungsanleitung vor Gebrauch des Produkts durch. Bei Nichtbeachtung der Anweisungen und Sicherheitshinweise in diesem Handbuch kann es zu Schäden und/oder schweren Verletzungen kommen.



Bewahren Sie diese Anleitung zur späteren Verwendung an einem sicheren Ort auf

WARNHINWEISE (Gefahr einer möglichen Verletzung oder von anderen schweren Nebenwirkungen)

- Der Kinder-Badewannenlift wurde für die Verwendung in herkömmlichen Badewannen konzipiert. Einige Eck- und Massagebadewannen, die mit Düsen zahlreiche Wasserstrahlen erzeugen, eignen sich nicht für den Kinder-Badewannenlift, weil die Saugnäpfe des Geräts in solchen Badewannen nicht richtig an der Badewannenoberfläche anhaften. Sollte der Kinder-Badewannenlift in einem anderen als dem üblichen Bad genutzt werden, überprüfen Sie die Eignung für den Gebrauch und dass die Saugnäpfe richtig haften.
- Vergewissern Sie sich immer, dass die Sperrhebel verriegelt sind, bevor Sie den Kinder-Badewannenlift in die Badewanne setzen.
- Stellen Sie sicher, dass jegliche Öl- und Seifenreste vom Kinder-Badewannenlift und aus der Badewanne entfernt sind. Achten Sie dabei besonders auf die Saugnäpfe und den Badewannenboden. Stellen Sie vor jedem Gebrauch sicher, dass die Saugnäpfe fest an der Badewanne haften. Die Saugnäpfe haften möglicherweise nicht auf der Oberfläche von Badewannen, die mit einer erneuten Emailleschicht überzogen wurden oder von Badewannen mit gewellten oder strukturierten Oberflächen. Verwenden Sie das Produkt nicht, wenn die Saugnäpfe nicht an der Badewanne haften.
- Achten Sie darauf, dass Arme und Beine des Kindes sich vollständig innerhalb der Plattform befinden, bevor Sie den Kinder-Badewannenlift anheben oder absenken.
- Lassen Sie NIE ein Kind unbeaufsichtigt auf dem Kinder-Badewannenlift.
- Das Kinder-Badewannenlift sollte nur als Badehilfe dienen. Es darf KEINESFALLS außerhalb der Badewanne verwendet werden. Verwenden Sie das Kinder-Badewannenlift NIE als Hilfe zum Ein-/Aussteigen in die/aus der Badewanne. Verwenden Sie es NIE als Tritt, Ständer oder als Vorrichtung zum Heben von Gegenständen.
- Verwenden Sie das Kinder-Badewannenlift nie als Stütze für besseren Halt beim Reinigen der Badewanne oder beim Herausholen von Gegenständen aus der Badewanne, da das Kinder-Badewannenlift dabei ungleichmäßig belastet werden kann und instabil wird.
- Das Badekissen sollte nur für den dafür vorgesehenen Verwendungszweck verwendet werden. Es darf in keinsten Weise modifiziert werden.
- Das Ladegerät EIGNET SICH NICHT für eine Verwendung in der Gegenwart von entflammenden, narkotisierenden Mischungen mit Luft, Sauerstoff oder Stickstoffdioxid.
- Wenn der Airflo-Kompressor verwendet wird, stellen Sie sicher, dass die Leitung zur Handsteuerung und der Luftschlauch so angeordnet sind, dass keine Gefahr eines Umkippen oder einer Strangulation besteht.

- Lassen Sie Kinder nicht mit dem Kinder-Badewannenlift oder dem Airflo spielen, da die unkontrollierte und unbeaufsichtigte Anwendung des Geräts zu Verletzungen und/oder Sachschäden führen kann.
- Um Verletzungen während des Gebrauchs und/oder Schäden an den Geräten zu vermeiden, halten Sie Tiere vom Kinder-Badewannenlift und vom Airflo-Kompressor fern.
- Stellen Sie vor jedem Gebrauch sicher, dass es keine offensichtlichen Anzeichen für Schäden oder lockere Saugnäpfe gibt. Im Zweifelsfall verwenden Sie das Kinder-Badewannenlift nicht, sondern bitten Sie Ihren Fachhändler um Unterstützung.
- Entfernen Sie alle Antirutschmatten aus dem Bereich, in dem die Saugnäpfe positioniert werden sollen.
- Um die Gefahr eines elektrischen Schlages zu vermeiden, laden Sie den Akku NIE im Badezimmer, im Freien oder in einer feuchten Umgebung auf.
- Verwenden Sie keine andere Luftzufuhr zum Aufblasen des Kinder-Badewannenlift.

VORSICHTSHINWEISE (Probleme, wie Fehlfunktionen, Geräteausfall, Schäden am Gerät oder andere Sachschäden, sind möglich)

- Laden Sie den Akku nur mit dem Mangar International-Akkuladegerät, welches im Lieferumfang des Airflo-Kompressors enthalten ist.
- Trennen Sie den Airflo-Kompressor vor dem Transport vom Kinder-Badewannenlift, um ein versehentliches Aufblasen des Kissens zu vermeiden.
- Verwenden Sie keine erdnussölhaltigen Badezusätze, da dies die Saugnäpfe beschädigen kann. Wurden derartige Zusätze dennoch verwendet, waschen und spülen Sie die Saugnäpfe nach dem Gebrauch gründlich, um Rückstände zu entfernen.

Weitere Unterstützung oder Informationen erhalten Sie bei unserem Kundendienst unter der Rufnummer +44(0)1544 267674 oder per E-Mail unter sales@mangar.co.uk

Safety Information	14
Warnhinweise	14
Vorsichtshinweise	15
Produktbeschreibung	17
Verwendungszweck	17
Standard-Lieferumfang	17
Anbringung und Verwendung	18
Rückenlehne und Plattformauflage befestigen/einstellen	18
Kinder-Badewannenlift in der badewanne installieren	19
Kinder-Badewannenlift anheben und absenken	19
Wartung und Pflege	20
Kinder-Badewannenlift aus der badewanne entfernen	20
Regelmässige reinigung	20
Desinfektion	20
Netzgewebe nach dem waschen am rückenlehnenrahmen befestigen	21
Transport/Lagerung	21
Entsorgung/Recycling	21
Liste der bauteile	22
Zur pflege Ihres Kinder-Badewannenlift	22
Fehlerbehebung	23
Technische daten	23
Anhänge	24
Verwendete symbole	24
Garantie	24
Konformitätszeugnis (Certificate of Conformity)	25

Verwendungszweck

Der Mangar Kinder-Badewannenlift ist eine mit Druckluft betriebene, in der Höhe verstellbare Badeplattform, die als Badehilfe für Kinder entworfen wurde. Der Kinder-Badewannenlift eignet sich insbesondere für Kinder, deren Oberkörper nur eine begrenzte Stabilität besitzt. Die verstellbare Rückenlehne stützt den Körper vollständig ab, bei Bedarf auch zusammen mit den Haltegurten.

Die Spannungsversorgung erfolgt über den vom Mangar International Airflo Mk3-Akku gespeisten Kompressor. **LESEN SIE SICH BITTE** vor dem Gebrauch des Kinder-Badewannenlift die separate Bedienungsanleitung zum Airflo Mk3-Kompressor durch.

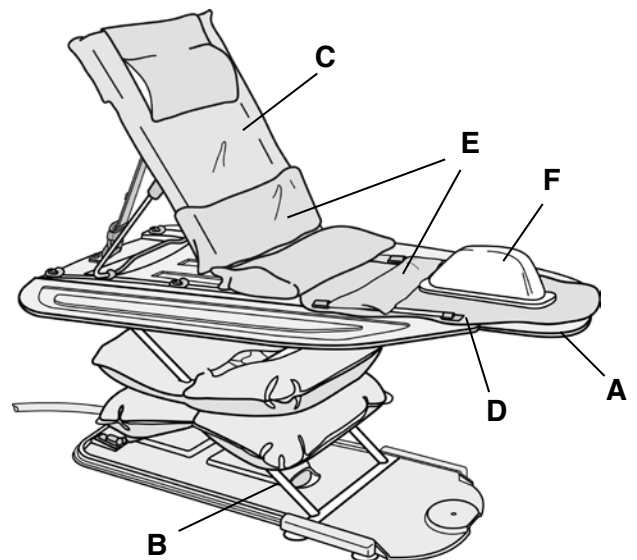


Standard-Lieferumfang

- 1 x Kinder-Badewannenlift-Plattform (A).
- 1 x Scherenlift (einschließlich Luftkissen und Bodenplatte) (B).
- 1 x Rückenlehne (einschließlich Kopfstützenpolster) (C).
- 1 x Plattform mit Seitenschienen (D).
- 2 x Haltegurt (E).
- 1 x Bedienungsanleitung.
- 1 x Airflo Mk3-Kompressor (mit Bedienungsanleitung).

Extraausstattung

- U-Kopfstütze (nicht dargestellt).
- Trennkeil (F).
- Duschablageklemmen (nicht dargestellt).

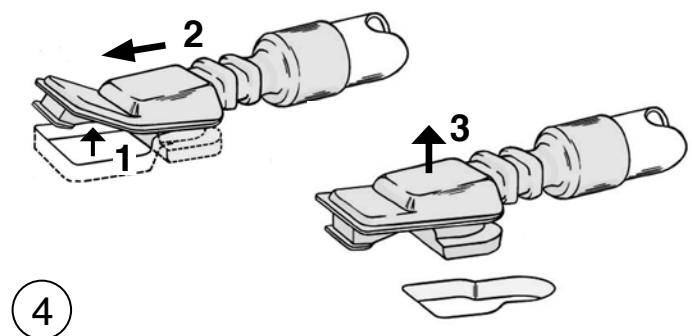
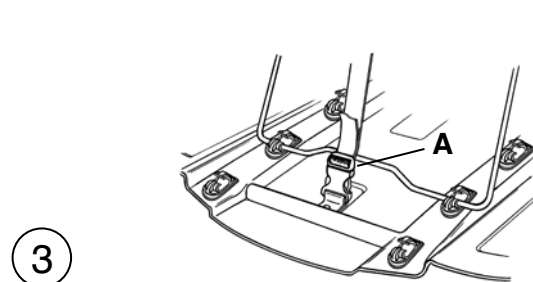
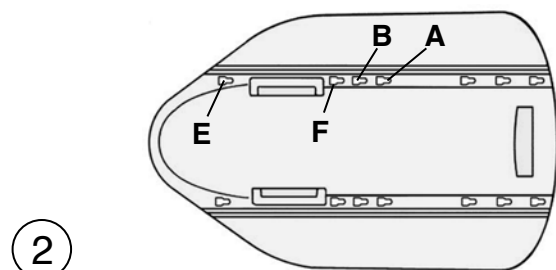
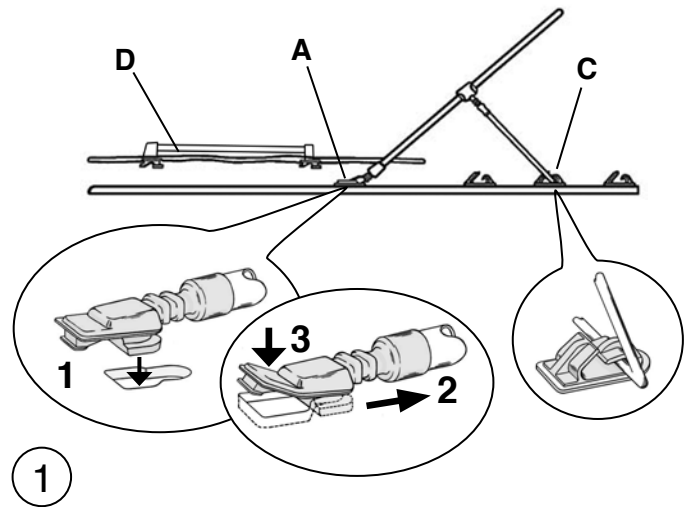


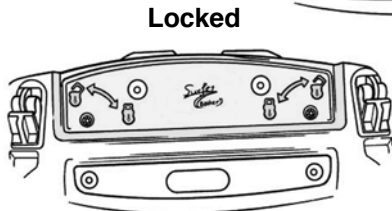
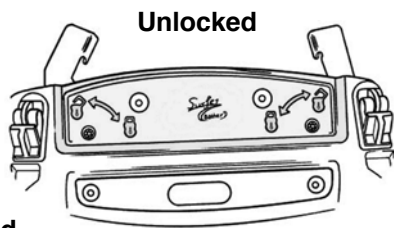
Rückenlehne und Plattformauflage befestigen/einstellen

- Die Rückenlehne und die Plattformauflage werden mit Kunststoffzapfen an der Plattform befestigt, die in Schlüsseloch-förmige Schlitzte geführt werden. Führen Sie den Zapfen wie gezeigt in den entsprechenden Schlitz (**1** und **2** in Abb. 1) und drücken Sie dann die Verriegelungsnase nach unten, bis sie hörbar einrastet (**3** in Abb. 1).
- Befestigen Sie die Rückenlehnencharniere in den Schlitzten (**A** oder **B** in Abb. 2). **HINWEIS:** Falls Sie die vorderen Schlitzte (**B**) benutzen möchten, nehmen Sie die beiden Verschlussstopfen heraus und stecken diese in die beiden hinteren Schlitzte (**A**).
- Stellen Sie den Neigungswinkel der Rückenlehne ein, indem Sie die Rückenlehnenstütze in eine der drei Rasten (**C** in Abb. 1) drücken. Sie können die Rückenlehne auch ganz flach stellen, indem Sie die Rückenlehnenstütze aus der jeweiligen Raste ziehen und die Rückenlehne dann flach liegen lassen.
- Richten Sie den Winkel der Rückenlehne in die erforderliche Position und verbinden Sie die Schnalle mit dem Rückhalteriemem (**A** Abb 3). Ziehen sie den Riemen an, um den Winkel der Rückenlehne zu arretieren. Wenn der Winkel der Rückenlehne geändert werden muss, öffnen Sie die Schnalle, bevor Sie den Winkel neu einstellen. Verbinden Sie die Schnalle wieder und straffen Sie den Riemen, um die Rückenlehne in ihrem neuen Winkel zu arretieren.
- Befestigen Sie die Plattformauflage (**D** in Abb. 1), indem Sie die Kunststoffzapfen gleichzeitig in die Schlitzte (**E** und **F** in Abb. 2) einführen.

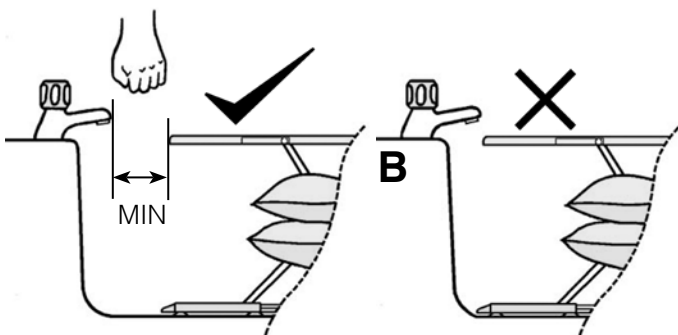
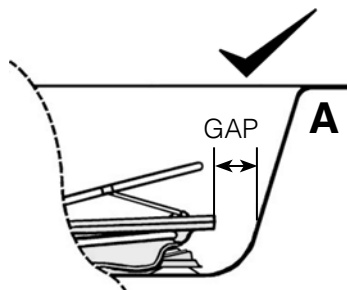
Wenn Sie die Rückenlehne und die Plattformauflage entfernen möchten, können Sie die Kunststoffzapfen auf folgende Weise lösen:-

- Drücken Sie die Verriegelungsnase auf der Unterseite der Plattform nach oben (**1** in Abb. 4).
- Drücken Sie den Zapfen nach oben aus dem Schlitz (**2** und **3** in Abb. 4).





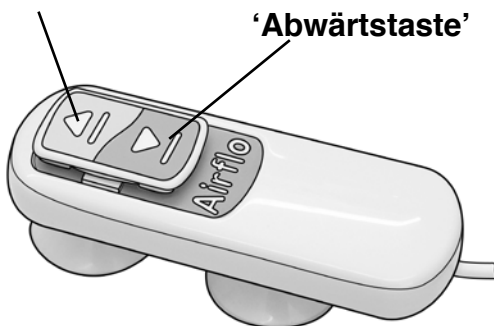
5



6

'Aufwärtstaste'

'Abwärtstaste'



7

HINWEIS: Die Klappflügel der Plattform können nach längerer Lagerzeit etwas steif werden. Sie können in diesem Fall Abhilfe schaffen, indem Sie jeden Klappflügel vollständig öffnen und dann wieder schließen. Wiederholen Sie dieses Öffnen und Schließen so häufig wie nötig, bis jeder Klappflügel sich leicht bewegen lässt.

Kinder-Badewannenlift in der Badewanne installieren

VORSICHT! Vergewissern Sie sich immer, dass die Sperrhebel verriegelt sind, bevor Sie den Kinder-Badewannenlift in die Badewanne setzen (Abb. 5).

- Stellen Sie den luftleeren, nicht aufgeblasenen Kinder-Badewannenlift so in eine leere Badewanne, dass sich das hintere Ende der Bodenplatte möglichst nah an dem den Wasserhähnen gegenüberliegenden Ende der Badewanne befindet, ohne dass die Bodenplatte auf der Badenwannekrümmung aufliegt (**A** in Abb. 6). **Drücken Sie den Kinder-Badewannenlift dann fest nach unten, damit die Saugnäpfe der Bodenplatte sicher an der Badenwanneoberfläche anhaften.**
- Blasen Sie die Luftkissen ganz auf und überzeugen Sie sich, dass zwischen dem schmalen Ende der Plattform und den über den Badenwanne rand vorstehenden Wasserhähnen ein ausreichender Abstand vorhanden ist (**B** in Abb. 6).

VORSICHT! Vergewissern Sie sich vor der Verwendung immer, dass alle Saugnäpfe richtig positioniert sind und fest an der Badenwanne anhaften.

Kinder-Badewannenlift anheben und absenken

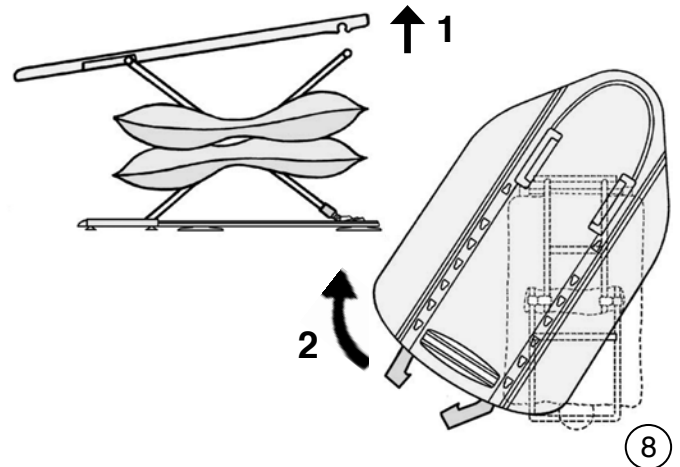
VORSICHT! - Achten Sie darauf, dass Arme und Beine des Kindes sich vollständig innerhalb der Plattform befinden, bevor Sie den Kinder-Badewannenlift anheben oder absenken.

Lassen Sie NIE ein Kind unbeaufsichtigt auf dem Kinder-Badewannenlift.

- Um den Kinder-Badewannenlift anzuheben, drücken Sie auf der Airflo-Handbedienung die "Aufwärtstaste" (Abb. 7).
- Um den Kinder-Badewannenlift an einer beliebigen Stelle anzuhalt, lassen Sie die "Aufwärtstaste" einfach los.
- Um den Kinder-Badewannenlift abzusenken, drücken Sie auf der Airflo-Handbedienung die "Abwärtstaste". **Achtung:** Wenn die Kinder-Badewannenlift Plattform, nachdem sie den Boden des Bades erreicht hat, wieder aufsteigt, drücken Sie den "runter" Knopf noch einmal und halten Sie ihn gedrückt, bis die verbliebene Luft aus dem Blasebalg entwichen ist.

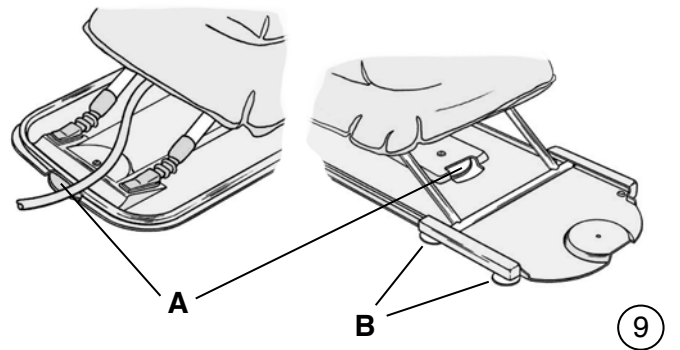
Kinder-Badewannenlift aus der Badewanne entfernen

- Lassen Sie das Wasser aus der Badewanne ab.
- Um das Herausnehmen aus der Badewanne zu erleichtern, sollte die Plattform vom Scherenlift getrennt werden. Heben Sie den Kinder-Badewannenlift etwas an und ziehen Sie die Sperrhebel nach außen (Abb. 5), um die Plattform vom Scherenlift zu entriegeln. Rasten Sie die Plattform aus dem Scherenlift aus (1 in Abb. 8). Drehen Sie die Plattform wie gezeigt (2 in Abb. 8), um die Stangen aus den Schlitzen auf der Unterseite der Plattform zu lösen.



HINWEIS: Die Sperrhebel müssen entriegelt werden, bevor Sie die Plattform vom Scherenlift trennen können.

- Heben Sie den Rand von jedem der beiden großen Saugnäpfe an der Bodenplatte an, um die Haftung an der Badewanne aufzuheben (A in Abb. 9) und den Scherenlift aus der Badewanne zu entfernen.
- Die vier kleinen Saugnäpfe an der Bodenplatte lösen sich allein von der Badewannenoberfläche, wenn Sie den Scherenlift aus der Badewanne heben (B in Abb.9).



HINWEIS: Versuchen Sie keinesfalls, den Kinder-Badewannenlift aus der Badewanne zu entfernen, bevor Sie die Saugwirkung der beiden großen Saugnäpfe an der Bodenplatte aufgehoben haben, weil der Kinder-Badewannenlift ansonsten beschädigt wird.

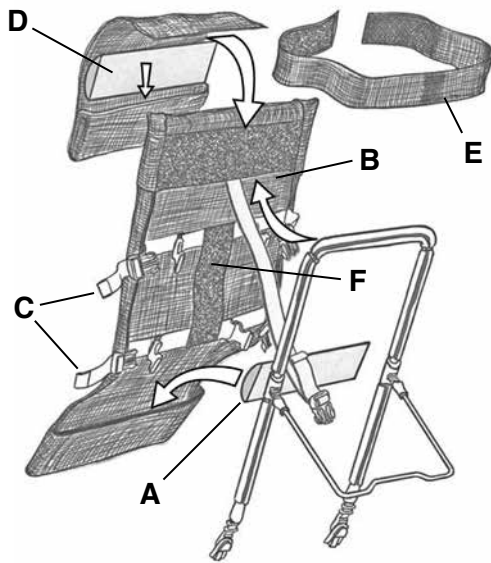
Regelmässige reinigung

Nach dem Gebrauch blasen Sie die Luftkissen ganz auf und spülen sie mit sauberem Wasser ab, um Seifenreste und Schmutz zu entfernen. Sie können den Kinder-Badewannenlift mit einem geeigneten Flüssigreinigungsmittel oder Desinfektionsmittel reinigen und anschließend trocken wischen oder an der Luft trocknen lassen. **Trocknen Sie keinesfalls mit Heiß- oder Warmluft.** Entfernen Sie die Schaumstoffeinsätze und waschen Sie das Rückenlehnengeflecht und die -gurte gemäß den Pflegehinweisen auf dem Schild. Die Schaumstoffeinsätze sollten von Hand in warmem Wasser mit Reinigungsmittel gewaschen und in sauberem Wasser gründlich abgespült werden, um alle Seifenrückstände zu entfernen. Drücken Sie den Schaumstoff vorsichtig aus, um überschüssiges Wasser zu entfernen. Lassen Sie ihn dann an der Luft trocknen.

Das Plattformpolster darf nur in warmem Wasser und unter Verwendung eines milden Reinigungsmittels von Hand gewaschen, unter sauberem Wasser gründlich abgespült und dann an der Luft getrocknet werden (die Oberfläche des Polsters kann abgewischt werden, um überschüssiges Wasser zu entfernen - nicht wringen oder in den Trockner geben). **Verwenden Sie zum Trocknen keine Heißluft.**

Desinfektion

Reinigen Sie vor der Desinfektion alle Bauteile des Kinder-Badewannenlift (bei voll aufgeblasenen Luftkissen), indem Sie sie mit einem geeigneten Reinigungsmittel und Wasser waschen. Anschließend können Sie den Kinder-Badewannenlift mit einem Desinfektionsmittel desinfizieren. Spülen Sie nach der Desinfektion gründlich mit Wasser. **Trocknen Sie keinesfalls mit Heiß- oder Warmluft.**



10

Netzgewebe nach dem Waschen am Rückenlehnenrahmen befestigen

- Stecken Sie den Oberschenkelstützschaum (**A** in Abb. 10) in die untere Tasche des Netzgewebes.
- Führen Sie den Rückenlehnenrahmen in die Tasche (**B**) des Netzgewebes und schließen Sie die vier Schnallen (**C**).
- Lockern Sie die Schnallenriemen oder ziehen Sie diese fester, um die Spannung des Netzgewebes auf dem Rückenlehnenrahmen zu verändern.
- Stecken Sie das Kopfstützenpolster (**D**) in die Tasche der Kopfaufgabe und befestigen Sie die Kopfstütze gegebenenfalls mit dem Klettband an der Rückenlehne.
- Den Haltegurt (**E**) können Sie nach Bedarf am Klettbandstreifen (**F**) befestigen.

Transport/Lagerung

Trennen Sie den Airflo-Kompressor vor dem Transport vom Kinder-Badewannenlift, um ein versehentliches Aufblasen des Kissens zu vermeiden.

Stellen Sie sicher, dass das Kinder-Badewannenlif vor der Lagerung sauber ist und gründlich gereinigt wurde. Wurde das Kinder-Badewannenlif vor der Lagerung nicht gründlich abgetrocknet oder trocken gelassen, kann sich Schimmel auf der Produktoberfläche bilden. Dadurch wird das Gewebe geschwächt und die Produktgarantie verfällt. Lagern Sie das Kinder-Badewannenlif in einer trockenen Umgebung.

Laden Sie den Airflo-Akku zur Wartung bei einer längerfristigen Lagerung alle 3 Monate auf.

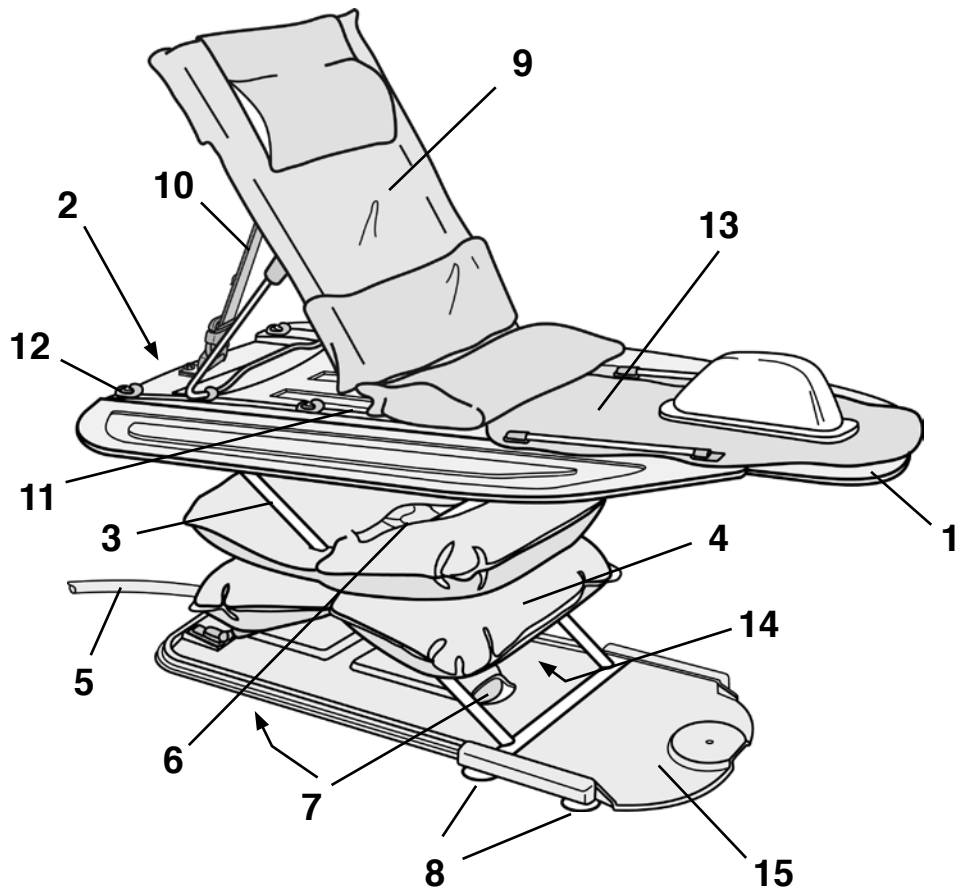
Entsorgung/Recycling

Wenn das Kinder-Badewannenlif das Ende seiner Nutzdauer erreicht hat, entsorgen Sie es bei Ihrer örtlichen Haushaltsabfall-Recyclingstation (Wertstoffhof).

Wenn der Airflo das Ende seiner Nutzdauer erreicht hat, entnehmen Sie die Akkus, um diese dann sicher und gemäß den kommunalen Richtlinien zu entsorgen. Entsorgen Sie den Airflo bei Ihrer örtlichen Haushaltsabfall-Recyclingstation (Wertstoffhof).

Liste der Bauteile

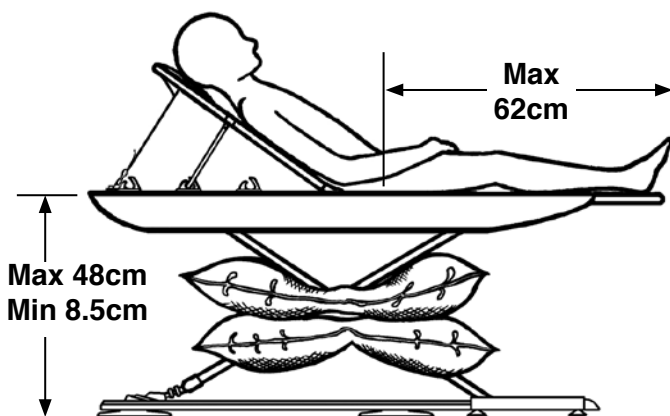
1. Plattform
2. Plattformsperrehebel
3. Scherenlifteinheit
4. Luftkissen
5. Luftschlauch
6. Luftkissenschnalle
7. Große Saugnäpfe
8. Kleine Saugnäpfe
9. Rückenleheneinheit
10. Rückhalteriemens
11. Rückenlehenscharnier
12. Rückenlehnenraste
13. Plattformauflage
14. Sicherheitsventil
15. Bodenplatte



Zur Pflege Ihres Kinder-Badewannenlift prüfen Sie regelmäßig, ob:

- Die Luftkissenschnalle (6) korrekt befestigt ist und die Luftkissen (4) unbeschädigt sind.
- Die Plattformsperrehebel (2) betriebssicher und unbeschädigt sind.
- Der Luftschlauch (5) unbeschädigt ist.
- Beide großen Saugnäpfe (7) betriebssicher und unbeschädigt sind.
- Die vier kleinen Saugnäpfe (8) betriebssicher und unbeschädigt sind.
- Das Sicherheitsventil (14) einwandfrei arbeitet und Luft ablässt, wenn die Luftkissen bis über den zulässigen Druck aufgeblasen werden.
- Die Rückenlehenscharniere (11) und Rückenlehnenrasten (12) unbeschädigt sind und sicher in den jeweiligen Schlitz sitzen.
- Der Kinder-Badewannenlift und alle Zubehörteile sauber sind.

Fehlerbehebung	
Problem	Abhilfemaßnahme
<ul style="list-style-type: none"> Falls der Kinder-Badewannenlift nicht aufgeblasen werden kann oder nicht in der gewünschten Höhe stehen bleibt, prüfen Sie, ob 	<ul style="list-style-type: none"> Stellen Sie sicher, dass der Luftschlauch des Kinder-Badewannenlift am Airflo angeschlossen ist. Der Luftschlauch weder geknickt noch blockiert ist. Das Sicherheitsventil einwandfrei arbeitet.
<ul style="list-style-type: none"> Der Kompressor läuft nicht, wenn "Up" (Heben) an der Handsteuerung betätigt wird. 	<ul style="list-style-type: none"> Stellen Sie sicher, dass der Luftschlauch des Kinder-Badewannenlift am Airflo angeschlossen ist.
<ul style="list-style-type: none"> Der Kompressor stoppt bei dem Versuch, das Badekissen aufzublasen, ständig. 	<ul style="list-style-type: none"> Stellen Sie sicher, dass der Luftschlauch nicht abgeknickt ist.
<ul style="list-style-type: none"> Kontrollleuchte Die Akkuladestands blinkt "Rot/Grün". 	<ul style="list-style-type: none"> Dies geschieht, wenn die Stromüberlast-Abschaltung ausgelöst hat. Lassen Sie das Gerät 3 Sekunden lang unbetätigt, damit es sich selbst zurücksetzen kann.
<ul style="list-style-type: none"> Die Akkuladestands-Kontrollleuchte blinkt "Rot". 	<ul style="list-style-type: none"> Dies geschieht, wenn die interne Temperaturabschaltung ausgelöst hat. Lassen Sie den Airflo 60-90 Minuten lang abkühlen.



Technische daten

Maximales Gewicht des Benutzers:	50kg
Maximal empf. Größe des Benutzers:	135cm
Plattformhöhe (min. bis max.):	8.5 cm – 48 cm
Rückenlehnenneigung:	flach bis max 70°
Gewicht (Plattform):	4.2 kg
Gewicht (Scherenlift):	5.5 kg
Gesamtgewicht:	9.7 kg
Maximaler Luftdruck:	0.35 bar

In der Bedienungsanleitung und am Badekissen verwendete Symbole



Warnung: Lesen Sie sich vor Gebrauch die Bedienungsanleitung durch



Die Taste "Aufwärtstaste" (Heben)



Die Taste "Abwärtstaste" (Senken)



Gerät vom Typ BF (Schutz vor elektrischem Schlag)

Garantie

Die Garantie gilt für Material- und Fabrikationsfehler und schließt das Gerät, Ersatzteile und Arbeitsstunden mit ein. Von der Garantie ausgeschlossen sind gebrauchsbedingte normale Abnutzung, mutwillige Beschädigung, allgemeine Fahrlässigkeit, unsachgemäßer Gebrauch sowie Modifizierungen oder Reparaturen durch nicht qualifizierte Personen.

Die folgenden Bestimmungen schränken das Verbraucherrecht nicht ein. Dieses Produkt wird unter dem Einverständnis verkauft, dass ein Material- oder Fabrikationsfehler, der innerhalb des Garantiezeitraums auftritt, kostenlos behoben wird, vorausgesetzt:

- (a) es liegt ein akzeptabler Beleg (z. B. Rechnung, Lieferschein) vor, dass das Anspruch wird innerhalb der Garantie Periode gemacht.
- (b) der Fehler ist nicht auf Unfallschäden (durch Transport oder anderweitig entstanden), unsachgemäßen Gebrauch oder nicht autorisierte Reparaturen zurückzuführen.

Kinder-Badewannenlift-Seriennummer:

.....

Kaufdatum:

.....

Rechnungs-/Lieferschein-Nr:

.....

Mangar International behält sich das Recht vor, die Produktspezifikationen und/oder jegliche Informationen in diesem Dokument ohne vorherige Ankündigung zu ändern

DECLARATION OF CONFORMITY

This is to certify that :-

The Surfer Bather - HSA0141
and its accessories

complies with:-

*The requirements for Class 1 devices of the Medical Devices
Directive 93/42/EEC as amended by 2007/47/EC*

Signed:



Date: August 2010

A. Barker Managing Director

Mangar International
Presteigne, Powys, Wales, UK. LD8 2UF
tel: +44 (0)1544 267674
fax: +44 (0)1544 260287
headoffice@mangar.co.uk
www.mangar.co.uk

Mangar
INTERNATIONAL





Assurez-vous de bien lire et comprendre ce manuel avant d'utiliser ce produit. Le non-respect des instructions et des consignes de sécurité de ce manuel peut entraîner des dommages ou des blessures graves.



Veillez conserver ces instructions dans un endroit sûr afin de vous y référer ultérieurement

AVERTISSEMENT (risque de blessures ou d'effets indésirables graves)

- L'Élévateur de bain pour enfant a été conçu pour être utilisé comme une baignoire conventionnelle. Toutefois, dans certains cas, l'emploi du Élévateur de bain pour enfant avec certains types de baignoires d'angle et "à jet" (produisant de multiples jets d'eau) n'est pas possible, car les ventouses risquent de ne pas assurer une bonne adhérence. Si l'on envisage d'utiliser L'Élévateur de bain pour enfant dans une baignoire différente de celle que l'on utilise normalement, on doit vérifier que cette application est possible et que les ventouses adhèrent correctement.
- Avant de placer L'Élévateur de bain pour enfant dans la baignoire, vérifiez que les dispositifs de verrouillage se trouvent dans la position fermée.
- S'assurer que tout résidu d'huile et de savon est retiré du L'Élévateur de bain pour enfant et de la baignoire. Une attention particulière doit être portée aux ventouses et au fond de la baignoire. Veiller à ce que les ventouses adhèrent fermement à la baignoire avant chaque utilisation. Les ventouses ne peuvent pas adhérer à la surface des baignoires qui ont été ré-émaillées ou qui ont gondolé ou qui ont des surfaces en relief. Ne pas utiliser si les ventouses n'adhèrent pas à la baignoire.
- Vérifier que les membres de l'enfant se trouvent au sein de la zone de la plate-forme avant de soulever ou de baisser L'Élévateur de bain pour enfant.
- Ne jamais laisser un enfant sans surveillance lorsqu'il se trouve sur L'Élévateur de bain pour enfant.
- L'Élévateur de bain pour enfant ne doit être utilisé qu'en tant qu'aide à la baignade, ne JAMAIS l'utiliser à d'autres fins. Ne JAMAIS utiliser le coussin élévateur pour baignoire pour vous hisser à l'intérieur ou à l'extérieur de la baignoire. Ne JAMAIS l'utiliser comme une marche, un marchepied ou comme un accessoire pour soulever des objets.
- Ne pas utiliser le L'Élévateur de bain pour enfant comme un support pour vous stabiliser lors du nettoyage de la baignoire ou pour vous introduire dans la baignoire pour en sortir des éléments, cela pourrait entraîner une charge irrégulière ou asymétrique sur, provoquant son instabilité.
- L'Élévateur de bain pour enfant ne doit servir qu'aux fins indiquées et ne doit en aucune façon être modifié.
- NE DOIT PAS ETRE UTILISE en présence de mélanges "anaesthetic" inflammables avec de l'air, de l'oxygène ou de l'oxyde d'azote.
- S'assurer que lorsque vous l'utilisez, le compresseur Airflo, la commande manuelle et le tuyau d'air sont disposés de manière à éviter tout risque de trébuchement ou de strangulation.

- Ne pas laisser les enfants jouer avec le L'Élévateur de bain pour enfant ni le compresseur Airflo car le fonctionnement de l'équipement dans une situation incontrôlée ou sans surveillance peut conduire à des blessures et/ou des dégâts.
- Pour éviter des blessures pendant l'utilisation et/ou des dommages à l'équipement, garder les animaux loin du compresseur Airflo et du L'Élévateur de bain pour enfant.
- Avant chaque utilisation, s'assurer qu'il n'y a pas de signes évidents de dommages ou de décollement de ventouses. En cas de doute, ne l'utilisez pas, demandez conseil à votre fournisseur.
- Retirer tout tapis anti-dérapant de la zone où seront placées les ventouses.
- Pour éviter les risques d'électrocution, ne JAMAIS recharger la batterie dans la salle de bain, dehors ou dans un environnement humide.
- Ne pas utiliser une autre alimentation en air pour gonfler le L'Élévateur de bain pour enfant.

MISES EN GARDE (risque de problèmes possibles, y compris des dysfonctionnements, une défaillance du dispositif, un endommagement de l'appareil ou des dommages à d'autres biens)

- Ne recharger la batterie qu'avec le chargeur Mangar International fourni avec le compresseur Airflo.
- Débrancher le compresseur Airflo de la partie gonflable avant de le transporter afin d'éviter un gonflement accidentel.
- Ne pas utiliser d'additifs pour le bain contenant de l'huile d'arachide car cela pourrait endommager les ventouses. Si des additifs de ce type ont été utilisés, s'assurer que les ventouses ont été soigneusement lavées et rincées afin qu'il n'y ait plus de résidus.

Pour plus d'informations ou d'assistance, veuillez contacter notre service clientèle en appelant le + 44 (0) 267674 1544 ou en adressant un email à : sales@mangar.co.uk

Consignes de sécurité	26
Avertissement	26
Mises en garde	27
Description du produit	29
Utilisation prévue	29
Pièces De L'appareil standard	29
Installation et utilisation	30
Montage / Ajustage du bourrelet de dossier et de plate-forme	30
Montage Du Élévateur de bain pour enfant dans la baignoire	31
Pour Soulever Et Baisser L'Élévateur de bain pour enfant	31
Maintenance et entretien	32
Pour Enlever L'Élévateur de bain pour enfant de la baignoire	32
Nettoyage périodique	32
Désinfection	32
Montage Du Dossier sur son châssis	33
Transport/Stockage	33
Mise au rebut/Recyclage	33
Liste des pieces	34
Pour entretenir votre Élévateur de bain pour enfant	34
Dépannage	35
Caractéristiques techniques	35
Annexes	36
Symboles utilisés	36
Garantie	36
Certificat de conformité	37

Utilisation prévue

Le Mangar Élévateur de bain pour enfant est une plate-forme élévatrice à commande pneumatique pour baignoires, conçue pour assister le bain des enfants. L'Élévateur de bain pour enfant convient particulièrement pour les enfants présentant une stabilité limitée dans la partie supérieure du corps. Le dossier ajustable et, le cas échéant, des sangles offrent un soutien intégral.

L'alimentation est fournie par le compresseur à batterie Mangar International Airflo Mk3. VEUILLEZ LIRE les instructions du compresseur Airflo Mk3 avant d'utiliser votre Élévateur de bain pour enfant.

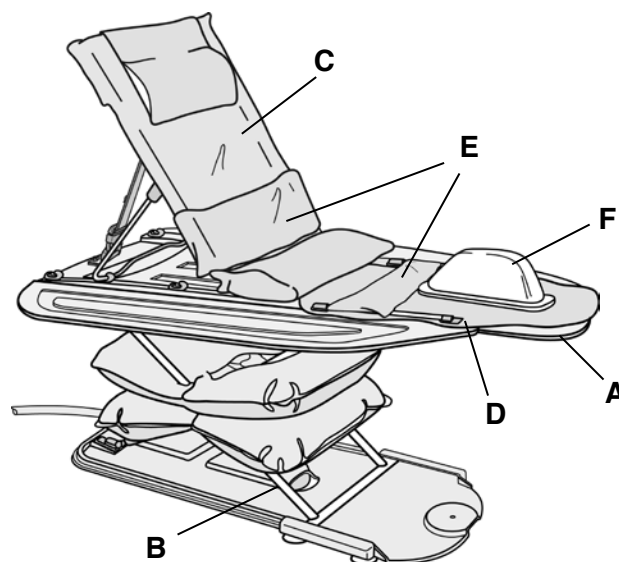


Pièces De L'appareil Standard

- 1 x Plate-forme pour Élévateur de bain pour enfant (A).
- 1 x Dispositif de levage (avec soufflet et socle) (B).
- 1 x Dossier (avec repose-tête) (C).
- 1 x Bourrelet de plate-forme avec glissières (D).
- 2 x Courroie de support (E).
- 1 x Mode d'emploi.
- 1 x Compresseur Airflo Mk3 (avec mode d'emploi).

Suppléments en option

- Repose-tête (non illustré).
- Pommeau (F).
- Attaches de bac de douche (non illustré).

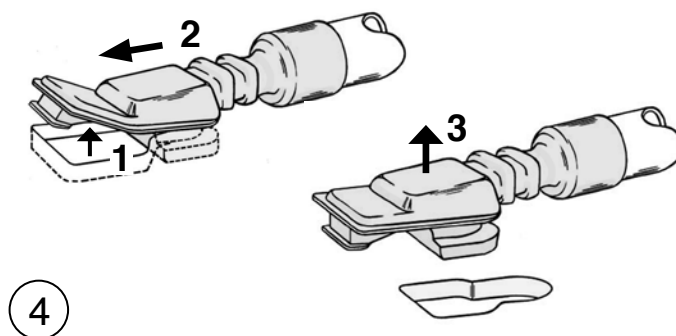
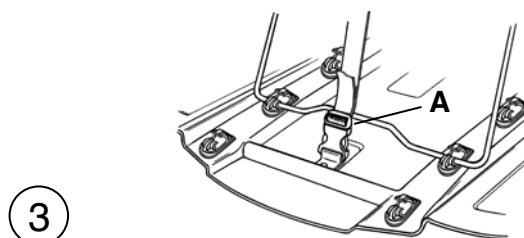
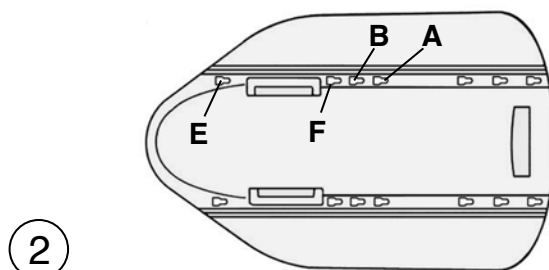
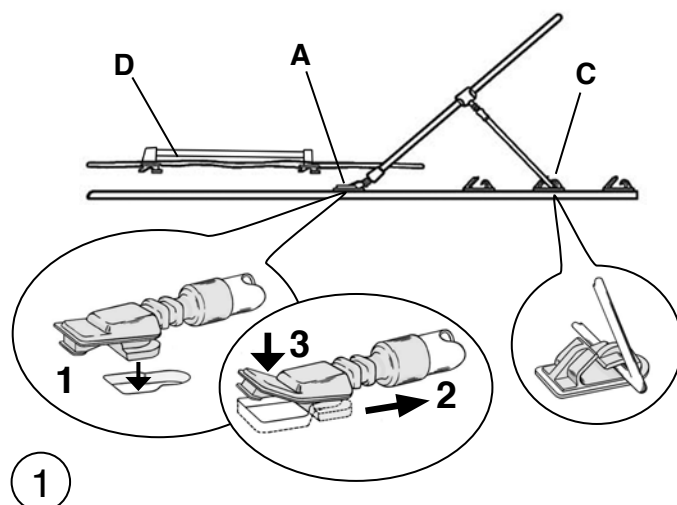


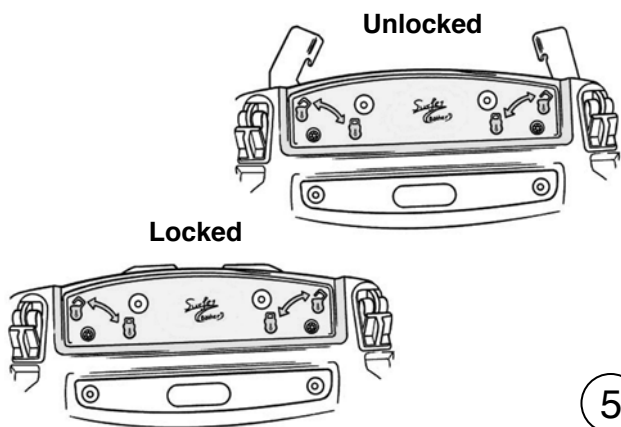
Montage / Ajustage Du Bourrelet De Dossier Et De Plate-Forme

- Le dossier et les bourrelets de plate-forme sont fixés sur la plate-forme avec des pattes en matière plastique insérées dans des fentes en trou de serrure. Positionner et glisser la patte dans la fente de la façon illustrée (1 et 2 fig. 1) et enfoncez la fiche de verrouillage jusqu'à ce qu'elle "clique" en place (3 fig. 1).
- Montez les charnières du dossier sur les fentes (A ou B fig. 2). REMARQUE : si l'on utilise les fentes antérieures (B), transférer les deux "bouchons d'obturation" sur les fentes postérieures (A).
- Ajuster l'angle du dossier en positionnant la barre de support dans un des trois loquets (C, fig. 1). On peut baisser à fond le dossier en desserrant la barre de support des loquets, et en permettant au dossier de se mettre à plat.
- Ajuster l'angle d'inclinaison du dossier sur la position désirée, et raccorder la boucle sur la courroie de retenue du dossier (A fig. 3). Tendre la courroie de façon à bloquer l'angle du dossier. Pour modifier l'angle d'inclinaison du dossier, desserrer la boucle avant de modifier l'angle d'inclinaison, puis raccorder la boucle et tendre la courroie de façon à bloquer le dossier sur son nouvel angle d'inclinaison.
- Monter le bourrelet de la plate-forme (D fig.1) en insérant simultanément les pattes de matière plastique dans les fentes (E et F fig. 2).

Pour desserrer les pattes en matière plastique, afin d'enlever le dossier et le bourrelet de la plate-forme :

- Trouver la fiche de verrouillage sur le dessous de la plate-forme, puis pousser cette fiche vers le haut (1 fig. 4).
- Glisser et soulever la patte hors de la fente (2 et 3 fig. 4).





5

REMARQUE : au bout de longues périodes de stockage, les volets de la plate-forme risquent de se raidir: dans ce cas on doit ouvrir à fond puis refermer chacun des volets, et répéter cette opération jusqu'à ce que chaque volet se déplace facilement.

Montage Du **Élévateur de bain pour enfant** Dans La Baignoire

AVERTISSEMENT : avant de placer L'Élévateur de bain pour enfant dans la baignoire, vérifiez que les dispositifs de verrouillage se trouvent dans la position fermée (fig. 5).

- Placer L'Élévateur de bain pour enfant dans la baignoire, de sorte que l'extrémité postérieure du socle se trouve le plus près possible du bout sans robinets de la baignoire, car il ne restera pas dans sa position s'il ne repose pas contre la courbure de la baignoire (**A** fig. 6). **Appuyez sur L'Élévateur de bain pour enfant pour que les ventouses du socle adhèrent fermement à la surface de la baignoire.**
- Gonfler à fond les soufflets et vérifier la présence d'un dégagement suffisant entre l'extrémité étroite de la plate-forme et des robinets saillants (**B** fig. 6).

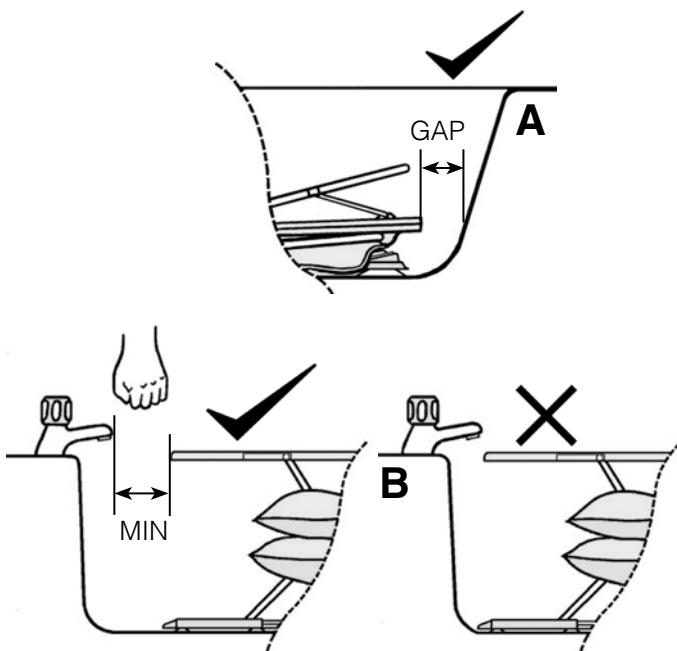
AVERTISSEMENT : avant l'usage, vous devez toujours vérifier que les ventouses se trouvent dans la bonne position et qu'elles adhèrent à la baignoire.

Pour Soulever Et Baisser L'Élévateur de bain pour enfant

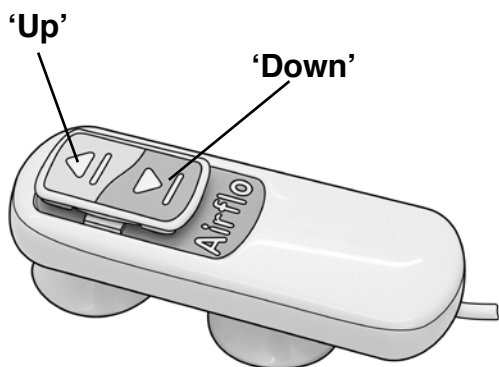
AVERTISSEMENTS : Vérifier que les membres de l'enfant se trouvent au sein de la zone de la plate-forme avant de soulever ou de baisser L'Élévateur de bain pour enfant.

Ne jamais laisser un enfant sans surveillance lorsqu'il se trouve sur L'Élévateur de bain pour enfant.

- Pour lever L'Élévateur de bain pour enfant, appuyer sur le bouton 'up' de la commande manuelle Airflo (fig. 7).
- On peut arrêter les opérations à tout moment en relâchant le bouton 'up'.
- Pour baisser L'Élévateur de bain pour enfant, appuyer sur 'down'. **REMARQUE** : si L'Élévateur de bain pour enfant se soulève après avoir atteint le fond de la baignoire, appuyer une nouvelle fois sur le bouton, en le maintenant appuyé jusqu'à ce que le restant de l'air ait été refoulé par le soufflet.



6



7

Pour Enlever L'Élévateur de bain pour enfant De La Baignoire

- Vider l'eau de la baignoire.
- Pour faciliter l'extraction de l'appareil de la baignoire, on doit séparer la plate-forme du dispositif de levage. Pour ceci, lever partiellement L'Élévateur de bain pour enfant puis tirer à fond sur les leviers de verrouillage (fig. 2) pour débloquer la plate-forme du dispositif de levage. Détacher la plate-forme du dispositif de levage (1 fig. 8). Pivoter la plate-forme de la façon illustrée (2 fig. 8) pour dégager les barres des fentes sur le dessous de la plate-forme.

AVERTISSEMENT: avant de tenter de séparer la plate-forme du dispositif de levage, on doit détacher les loquets de verrouillage.

- Soulever le bord sur chacune des deux ventouses sur le socle pour supprimer l'adhérence entre ventouse et baignoire (A fig. 9) puis enlever le dispositif de levage de la baignoire.
- Lorsqu'on soulève le dispositif de levage pour l'extraire de la baignoire, les quatre ventouses sur le socle cessent d'adhérer au socle (B fig.9).

REMARQUE: pour éviter d'endommager l'appareil, on ne doit jamais tenter d'enlever L'Élévateur de bain pour enfant de la baignoire avant d'avoir cassé l'adhérence sous chacune des deux grosses ventouses du socle faute de quoi on risque d'endommager l'appareil.

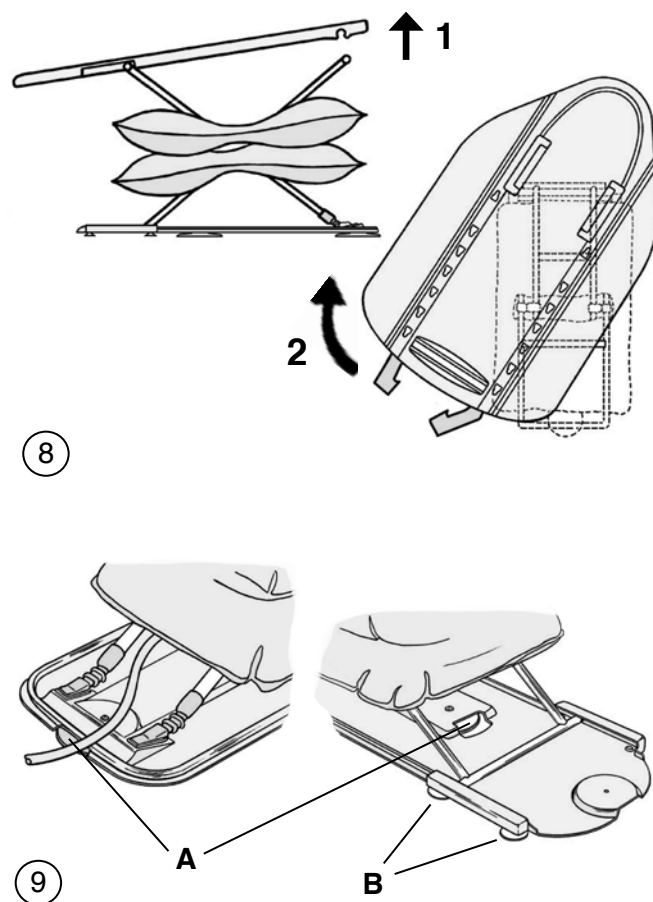
Nettoyage Périodique

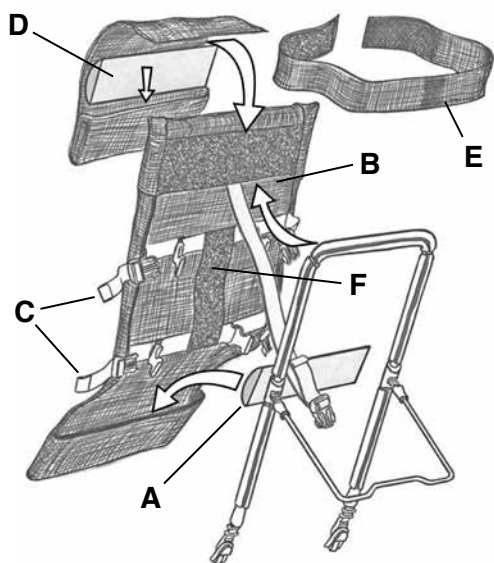
Après l'usage, gonfler à fond et rincer à l'eau propre pour enlever savon et impuretés. On peut nettoyer L'Élévateur de bain pour enfant avec un produit d'entretien ou un désinfectant de marque ; on doit ensuite l'essuyer et le laisser sécher à l'air. **Ne pas sécher à l'air chaud.** Retirer la garniture en mousse et nettoyer les mailles du dossier et les sangles conformément aux indications fournies sur l'étiquette. La garniture en mousse doit être lavée à la main à l'eau tiède avec un détergent et soigneusement rincée à l'eau claire pour éliminer tous les dépôts de savon. Appuyer doucement sur la mousse pour enlever le surplus d'eau et laisser sécher à l'air libre.

Le tapis doit être lavé, à l'eau tiède avec un détergent doux, soigneusement rincé à l'eau claire à la main et puis séché à l'air libre (la surface du tapis peut être essuyée pour enlever l'excès d'eau - ne pas essorer ni mettre dans uneessoreuse) - **Ne pas sécher à l'air chaud.**

Désinfection

On doit pré-nettoyer tous les composants (le soufflet étant entièrement gonflé) en les lavant avec un détergent et de l'eau, puis en les désinfectant avec un chiffon imbibé d'hypochlorite ou d'alcool. Rincer après la désinfection. **Ne pas sécher à l'air chaud.**





10

Montage Du Dossier Sur Son Châssis

- Insérer le bourrelet de mousse de support de la cuisse (**A** fig.10) dans la poche inférieure de la toile.
- Insérer le châssis du dossier dans la poche de la toile (**B**) et serrer les quatre boucles (**C**).
- Serrer ou desserrer les courroies de boucle pour ajuster la tension de la toile sur le châssis du dossier.
- Insérer le bourrelet de mousse (**D**) dans la poche de l'appuie-tête et, si nécessaire, fixer l'appuie-tête sur le dossier avec une bande Velcro.
- La courroie de support (**E**) peut être fixée sur le panneau Velcro (**F**) selon les exigences.

Transport/Stockage

Débrancher le compresseur Airflo du L'Élévateur de bain pour enfant avant le transport afin d'éviter un gonflement accidentel.

S'assurer que le L'Élévateur de bain pour enfant est propre et entièrement sec avant de le ranger. Si vous ne séchez pas soigneusement le L'Élévateur de bain pour enfant avant son stockage, cela peut entraîner une accumulation de moisissure à la surface du produit conduisant à un affaiblissement du tissu et à l'annulation de la garantie de produit. Stocker dans un endroit sec.

Pour bien conserver la batterie Airflo quand elle est stockée pendant de longues périodes, chargez l'Airflo pendant toute une nuit tous les 3 mois.

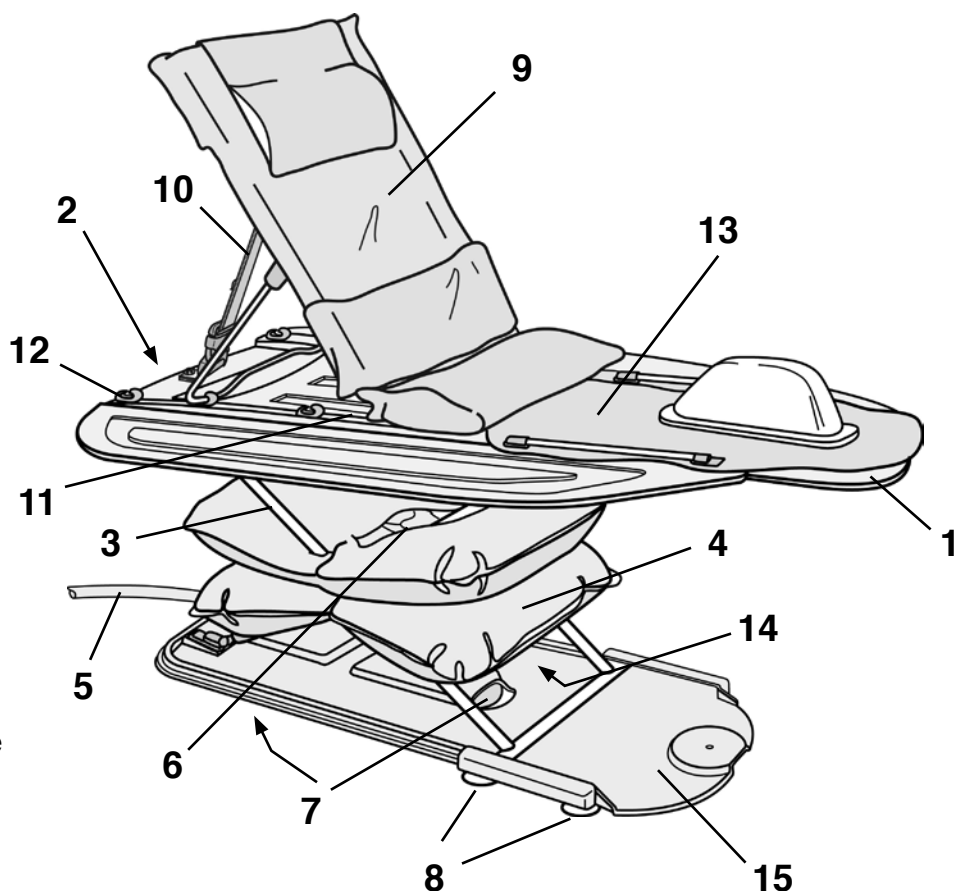
Mise au rebut/Recyclage

Lorsque le L'Élévateur de bain pour enfant est en fin de vie, débarrassez-vous en auprès de votre centre local de recyclage des déchets ménagers.

Lorsque l'Airflo est en fin de vie, retirez les batteries pour une mise au rebut en toute sécurité conformément aux directives de votre localité et débarrassez-vous du Airflo dans votre centre local de recyclage des déchets ménagers.

Liste des pièces

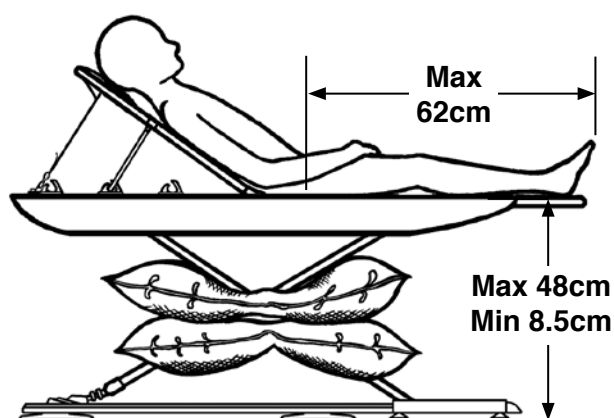
1. Plate-forme
2. Loquet de plate-forme
3. Dispositif de levage
4. Soufflet
5. Tuyau d'air
6. Boucle du soufflet
7. Grosses ventouse
8. Petites ventouses
9. Dossier
10. Courroie de retenue du dossier
11. Charnière du dossier
12. Loquet du dossier
13. Bourrelet de la plate-forme
14. Soupape de sûreté
15. Socle



Pour entretenir votre Élévateur de bain pour enfant; vous devez vérifier régulièrement:

- Que la boucle du soufflet (6) est fixée correctement et que le soufflet (4) est intact.
- Que les loquets de la plate-forme (2) sont fixés et intacts.
- Que le tuyau d'air (5) est intact.
- Que les deux grosses ventouses (7) sont intactes et fixées, ainsi que les quatre petites ventouses (8).
- Que la soupape de sûreté (14) n'est pas obturée et qu'elle dégage de l'air lorsque le soufflet est gonflé à fond.
- Que les charnières (11) et les loquets (12) sont intacts et placés dans les fentes.
- Que L'Élévateur de bain pour enfant et ses accessoires sont toujours propres.

Dépannage	
Problème	Solution
<ul style="list-style-type: none"> Si L'Élévateur de bain pour enfant ne se gonfle pas ou ne se maintient pas à la hauteur choisie, vérifier: 	<ul style="list-style-type: none"> Que le tuyau d'air est connecté correctement et que la commande manuelle est branchée correctement sur le compresseur. Qu'il n'y a pas de coude dans le tuyau d'air. Que la soupape de sûreté fonctionne correctement.
<ul style="list-style-type: none"> Le compresseur ne fonctionne pas lorsque "Up" est sélectionné sur la commande manuelle. 	<ul style="list-style-type: none"> Vérifiez que le tuyau d'air du L'Élévateur de bain pour enfant est connecté au Airflo.
<ul style="list-style-type: none"> Le compresseur s'arrête lorsque vous essayez de gonfler le L'Élévateur de bain pour enfant. 	<ul style="list-style-type: none"> Vérifiez qu'il n'y a pas de nœuds au niveau du tuyau d'air.
<ul style="list-style-type: none"> Voyant d'état de la batterie clignotant "Rouge/vert". 	<ul style="list-style-type: none"> Cela se produit en cas de coupure de courant, suite à une surcharge. Attendez 3 secondes pour une réinitialisation automatique.
<ul style="list-style-type: none"> Indicateur d'état de batterie lumineux clignotant "Rouge". 	<ul style="list-style-type: none"> Cela se produit en cas de coupure due à une température interne du compresseur trop élevée. Laissez l'Airflo refroidir pendant 60 à 90 minutes.



Caractéristiques Techniques

Poids maxi de l'utilisateur :	50kg
Hauteur maxi recommandée de l'utilisateur :	135cm
Hauteur (mini/maxi) de la plate-forme :	8.5 cm – 48 cm
Angle d'inclinaison du dossier :	horizontal à 70° maxi
Poids de la plate-forme :	4.2 kg
Poids du dispositif de levage :	5.5 kg
Poids total :	9.7 kg
Pression d'air maximale :	0.35 bar

Symboles utilisés dans le manuel d'instructions et sur le coussin élévateur



AVERTISSEMENT - Veuillez lire les instructions avant utilisation



Bouton "Up"



Bouton "Down"



Type de matériel BF (protection contre les chocs électriques)

Garantie

Cette garantie est accordée pour tous défauts de matière ou de façon et comprend les éléments, pièces, et main d'œuvre. La garantie n'est pas valable en ce qui concerne l'usure normale, les dommages par usage abusif du matériel, la négligence, une mauvaise utilisation ou une modification ou réparation non autorisée par des personnes non qualifiées.

Les déclarations suivantes n'affectent pas les droits juridiques du consommateur. Ce produit est vendu étant entendu qu'en cas de défaut quelconque de façon ou de matière apparaissant au cours de la période de garantie, ce défaut sera réparé gratuitement à condition que:

- (a) la preuve soit fournie (par exemple facture d'achat, bordereau de livraison) que la réclamation a lieu pendant la période de garantie.
- (b) le défaut n'est pas attribuable à un dommage accidentel (en cours de transport ou autre), une utilisation abusive ou une réparation non autorisée.

Numéro de série Élévateur de bain pour enfant:

.....

Date d'achat:

.....

No facture / bon de livraison:

.....

Mangar International se réserve le droit de modifier les spécifications du produit et / ou les informations contenues dans ce document sans avis préalable.

DECLARATION OF CONFORMITY

This is to certify that :-

The Surfer Bather - HSA0141
and its accessories

complies with:-

*The requirements for Class 1 devices of the Medical Devices
Directive 93/42/EEC as amended by 2007/47/EC*

Signed:



Date: August 2010

A. Barker Managing Director

Mangar International

Presteigne, Powys, Wales, UK. LD8 2UF

tel: +44 (0)1544 267674

fax: +44 (0)1544 260287

headoffice@mangar.co.uk

www.mangar.co.uk

Mangar
INTERNATIONAL





Zorg ervoor dat u deze handleiding leest en begrijpt voordat u dit product gebruikt. Het niet naleven van de instructies en veiligheidsmaatregelen in deze handleiding kan leiden tot schade en/of ernstig letsel.



Bewaar deze instructies op een veilige plek voor toekomstig gebruik

WAARSCHUWINGEN (Risico op mogelijk letsel of andere ernstige bijwerkingen)

- De Surfer Bather is ontworpen voor gebruik in traditionele badkuipen. Enige hoek- en massagebadkuipen, die met sproeimonden tal van waterstralen produceren, zijn niet geschikt voor de Surfer Bather, omdat de zuignappen van het apparaat in zulke badkuipen niet goed aan het badkuippoppervlak kleven. Als de Surfer Bather moet worden gebruikt in een ander bad dan waarin het normaal wordt gebruikt, controleert u dan de geschiktheid voor gebruik en of de zuignappen goed vastzitten.
- Vergewist u zich er altijd van, dat de borggrepen vergrendeld zijn, voor u de Surfer Bather in de badkuip plaatst.
- Zorg ervoor dat olie en zeepresten verwijderd worden van de Surfer Bather en het bad. Extra aandacht besteden aan de zuignappen en de bodem van het bad. Zorg ervoor dat de zuignappen goed hechten aan het bad voor elk gebruik. De zuignappen zullen mogelijk niet goed aan hechten aan een bad dat die opnieuw geëmailleerd is of dat geribde of getextureerde oppervlakken heeft. Niet gebruiken als de zuignappen zich niet goed hechten.
- Zorg dat de ledematen van het kind zich ruim binnen het platformgebied bevinden alvorens de Surfer Bather omhoog te brengen of neer te laten.
- Laat u **NOOIT** een kind zonder toezicht op de Surfer Bather.
- De Surfer Bather moet alleen gebruikt worden als steun bij het baden, gebruik het **NOOIT** buiten het bad. Gebruik de Surfer Bather **NOOIT** om in of uit het bad te klimmen. Gebruik de Surfer Bather **NOOIT** als opstapje, trapje of als hulpmiddel voor het optillen van voorwerpen.
- Gebruik de Surfer Bather niet als steun om uzelf in positie te houden tijdens schoonmaken van het bad of wanneer u iets uit het bad pakt, want dit kan een ongelijke of asymmetrische belasting op de Surfer Bather plaatsen waardoor deze instabiel kan worden.
- De Surfer Bather mag alleen gebruikt worden voor het aangegeven doel en mag op geen enkele manier worden aangepast.
- **NIET GESCHIKT** voor gebruik in de aanwezigheid van brandbare anesthesische mengsels met lucht, zuurstof of stikstofdioxide.
- Zorg ervoor dat de Airflo compressor, de handbediening en de luchtslang tijdens gebruik zodanig zijn neergelegd dat elk risico op struikelen of wurging wordt voorkomen.
- Laat kinderen niet met de Surfer Bather of Airflo spelen omdat gebruik van de apparatuur in een ongecontroleerde of onbewaakte situatie tot lichamelijk letsel en/of schade kan leiden.
- Houd dieren uit de buurt van de Surfer Bather en de Airflo-compressor om persoonlijk letsel en/of schade aan de apparatuur tijdens het gebruik te voorkomen.

- Zorg vóór elk gebruik ervoor dat er geen duidelijke aanwijzingen van schade of losse zuignappen zijn. In het geval van twijfel; niet gebruiken en advies inwinnen bij uw leverancier.
- Verwijder eventuele antislipmatten uit het gebied waar de zuignappen zullen worden gepositioneerd.
- Om het risico van een elektrische schok te voorkomen, de accu NOOIT opladen in de badkamer, buiten of in een vochtige omgeving.
- Gebruik geen andere luchttoevoer om de Surfer Bather op te blazen.

VOORZORGSMATREGELEN (Risico op mogelijke problemen, waaronder storingen, defecten aan het apparaat, of schade aan andere eigendommen)

- Laad de accu alleen op met de Mangar International oplader die met de Airflo compressor is meegeleverd.
- Ontkoppel de Airflo compressor van de Surfer Bather voor transport om onbedoeld opblazen te voorkomen.
- Gebruik geen toevoegingen met pindaolie in het bad, aangezien dit de zuignappen kan beschadigen. Als u dergelijke toevoegingen wel heeft gebruikt, zorg er dan voor dat u de zuignappen grondig wast en afspoelt om resten te verwijderen.

Voor verdere hulp of informatie kunt u contact opnemen met onze klantenservice door te bellen naar +44 (0) 1544 267674 of sales@mangar.co.uk te emailen

Veiligheidsvoorschriften	38
Waarschuwingen	38
Voorzorgsmaatregelen	39
Productomschrijving	41
Beoogd gebruik	41
Standaard product inhoud	41
Installatie en gebruik	42
Rugleuning en Platformkussen bevestigen/instellen	42
Surfer Bather installeren in de badkuip	43
De Surfer Bather neerlaten en omhoogbrengen	43
Onderhoud	44
De Surfer Bather uit het bad nemen	44
Regelmatig Schoonmaken	44
Desinfecteren	44
Net na het wassen vastmaken aan het frame van de rugleuning	45
Transport/Opslag	45
Weggoeien/Recycling	45
Onderdelenlijst	46
Om voor uw Surfer Bather te zorgen controleert	46
Probleemoplossing	47
Specificaties	47
Bijlagen	48
Gebruikte symbolen	48
Garantie	48
Conformiteitsverklaring	49

Beoogd gebruik

De Mangar Surfer Bather is een pneumatisch aangedreven, in hoogte verstelbaar badplatform, dat als badhulpmiddel voor kinderen is ontworpen. De Surfer Bather is met name geschikt voor kinderen wier bovenlichaam slechts een beperkte stabiliteit bezit. De verstelbare rugleuning biedt het lichaam volledige steun, indien nodig ook samen met de fixatieband.

Stroom wordt geleverd door de Mangar International Airflo Mk3 compressor met accuvoeding. Lees de afzonderlijke instructies voor de Airflo Mk3 compressor voordat u uw Surfer Bather gebruikt.

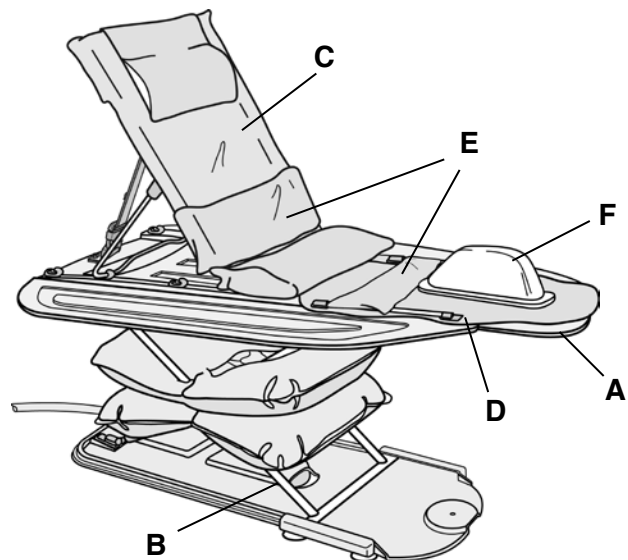


Standaard product inhoud

- 1 x Kinder-Badewannenlift-Plattform (A).
- 1 x Scherenlift (einschließlich Luftkissen und Bodenplatte) (B).
- 1 x Rückenlehne (einschließlich Kopfstützenpolster) (C).
- 1 x Plattform mit Seitenschiene (D).
- 2 x Haltegurt (E).
- 1 x Bedienungsanleitung.
- 1 x Airflo Mk3-Kompressor (mit Bedienungsanleitung).

Extraausstattung

- U-Kopfstütze (nicht gezeigt).
- Trennkeil (F).
- Duschablageklemmen (nicht dargestellt).

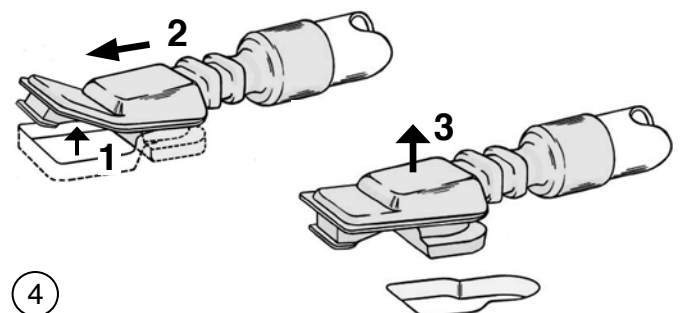
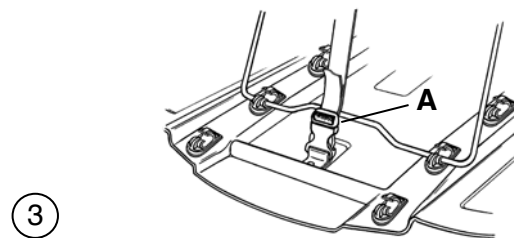
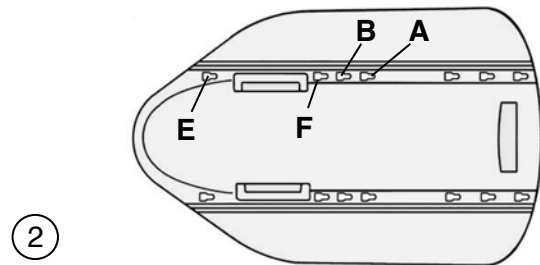
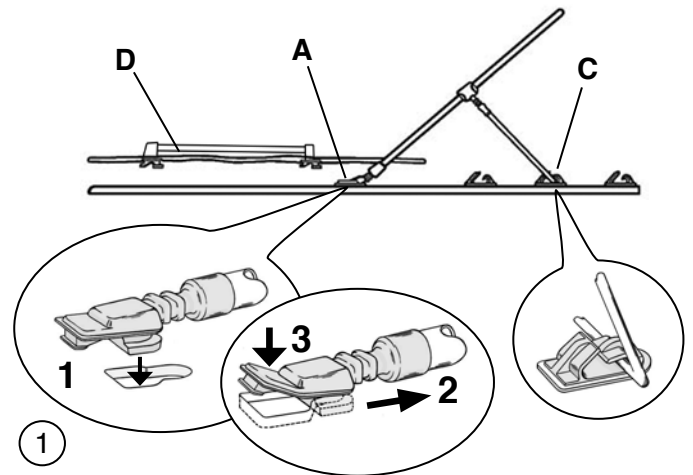


Rugleuning en Platformkussen bevestigen/instellen

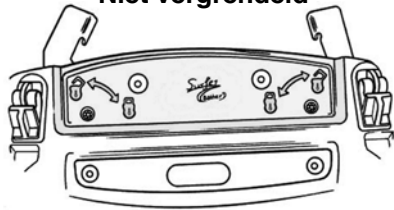
- De rugleuning en het platformkussen worden aan het platform bevestigd door middel van plastic aansluitingen die in sleutelgatgleuven gezet worden. Plaats de aansluiting in de gleuf (1 en 2 afb. 1), schuif deze zoals aangegeven en druk het vergrendelingslipje naar beneden zodat het op zijn plaats 'klikt' (3 afb. 1).
- Monteer de rugleuningscharnieren in de gleuven (A of B afb. 2). **OPMERKING:** Indien de voorste gleuven (B) gebruikt worden, verplaats dan de twee 'verhullende pluggen' naar de achterste gleuven (A).
- Verstel de hoek van de rugleuning door de steunstang in een van de drie grepen te plaatsen (C afb. 1). De rugleuning kan volledig neergelaten worden door de steunstang uit de grepen te halen. Hierdoor kan de rugleuning plat neergelegd worden.
- Stel de hoek van de rugleuning in op de gewenste stand en zet de gesp op de vastzetriem van de rugleuning (A fig. 3). Trek de riem vast om de hoek van de rugleuning vast te zetten. Als de hoek van de rugleuning veranderd moet worden, maak dan de gesp los voordat u de hoek verstelt. Maak de gesp weer vast en trek de riem vast om de rugleuning in zijn nieuwe hoek vast te zetten.
- Monteer het platformkussen (D afb. 1) door de plastic aansluitingen gelijktijdig in de gleuven te steken (E en F afb. 2).

Om de plastic aansluitingen los te maken teneinde de rugleuning en het platformkussen te verwijderen, moet u:-

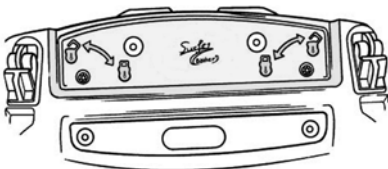
- Het borgplaatje aan de onderkant van het platform naar boven drukken (1 afb. 4).
- Het aansluitstuk verschuiven en uit de gleuf tillen (2 en 3 afb. 4).



Niet vergrendeld



Vergrendeld



5

OPMERKING: De zijdelen van het platform kunnen een beetje stijf worden na lange tijd opgeborgen te zijn: Als dat zo is kan dit verholpen worden door elk zijdeel volledig open te klappen en dan weer te sluiten en dit net zolang te herhalen als nodig is om beide zijdelen weer moeiteloos te kunnen bewegen.

Surfer Bather installeren in de badkuip

WAARSCHUWING: Vergewist u zich er altijd van, dat de borggrepen vergrendeld zijn, voor u de Surfer Bather in de badkuip plaatst (afb. 5).

- Stelt u de leeggelopen, dus niet opgepompte Surfer Bather zodanig in een lege badkuip, dat het achterste eind van het schuifstuk zich zo dicht mogelijk bij het eind van de badkuip bevindt tegenover de waterkranen, zonder dat het schuifstuk op de kromming van de badkuip ligt (**A** afb. 6). **Drukt u de Surfer Bather dan stevig naar beneden, zodat de zuignappen van de schuifstuk vast op het oppervlak van de badkuip komen te zitten.**

- Pompt u de balgen helemaal op en overtuigt u zich ervan, dat er tussen het smalle einde van het platform en de waterkranen die boven de rand van de badkuip uitsteken voldoende afstand blijft (**B** afb. 6).

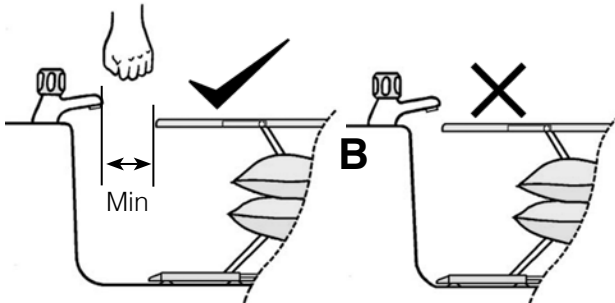
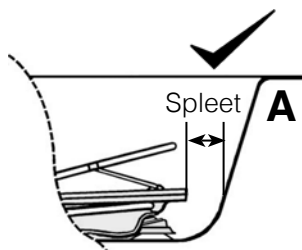
WAARSCHUWING: Vergewist u zich er voor gebruik altijd van, dat alle zuignappen goed geplaatst zijn en stevig op der badkuip vastzitten.

De Surfer Bather neerlaten en omhoogbrengen

WAARSCHUWING: Zorg dat de ledematen van het kind zich ruim binnen het platformgebied bevinden alvorens de Surfer Bather omhoog te brengen of neer te laten.

Laat u **NOOIT** een kind zonder toezicht op de Surfer Bather.

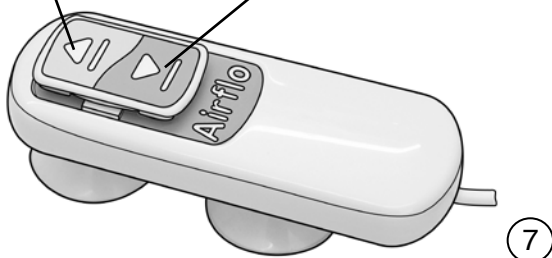
- Om de Surfer Bather omhoog te brengen, drukt u op 'Omhoog' op de Airflo-handbediening (afb. 7).
- Om op een willekeurig punt te stoppen, laat u de 'Omhoog' knop los.
- Om de Surfer Bather neer te laten, drukt u op 'Omlaag'. **LET OP:** Als het platform van de Surfer Bather omhoog komt nadat het de bodem van het bad heeft bereikt, drukt u nogmaals op de omlaag-knop en houdt u die ingedrukt tot de resterende lucht uit de balgen is verdreven.



6

'Omhoog'

'Omlaag'



7

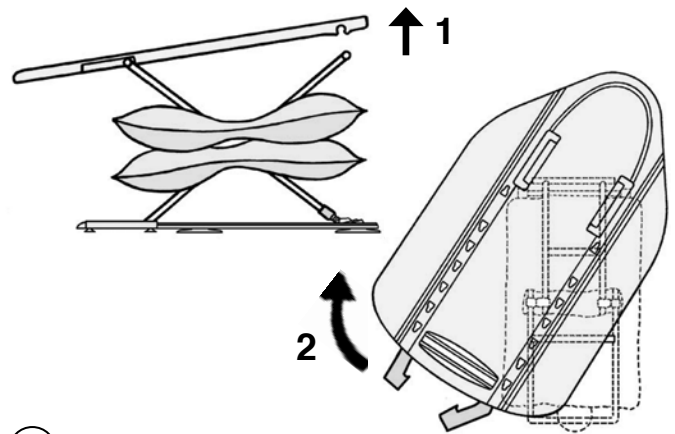
De Surfer Bather uit het bad nemen

- Laat het badwater weglopen.
- Als u dat wilt kan het platform gescheiden worden van de schaarheftafel om het uitnemen te vergemakkelijken. Til de Surfer Bather gedeeltelijk op en trek de slothendels uit (afb. 5) om het platform los te maken van de schaarheftafel. Maak het platform los van de schaarheftafel (1 afb. 8). Draai het platform zoals aangegeven (2 afb. 8) om de stangen vrij te maken van de gleuven aan de onderkant van het platform.

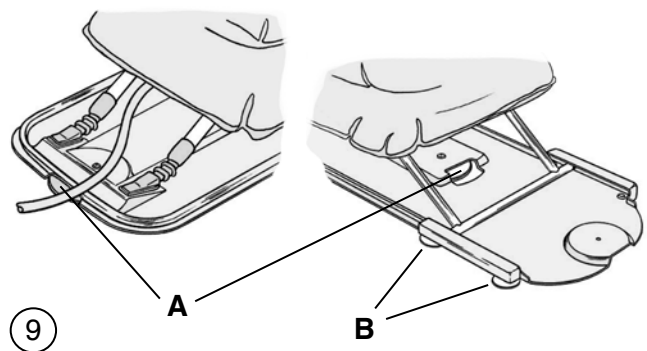
OPMERKING: De borggrepen moeten gedeblokkeerd worden alvorens u probeert het platform van de heftafel te scheiden.

- Til de rand van elk van de beide grote zuigers op de schuifstuk op om de zuiging tussen zuiger en bad op te heffen (A afb. 9) en neem de schaarheftafel uit het bad.
- Die vier kleine zuigers (B fig.9) op de schuifstuk komen alleen los van het badkuippoppervlak, als u de schaarheftafel uit de badkuip tilt.

OPMERKING: Probeer de Surfer Bather nooit te verwijderen zonder eerst de zuiging op te heffen onder de beide grote zuigers en het schuifstuk, omdat dit anders kan leiden tot schade.



8



9

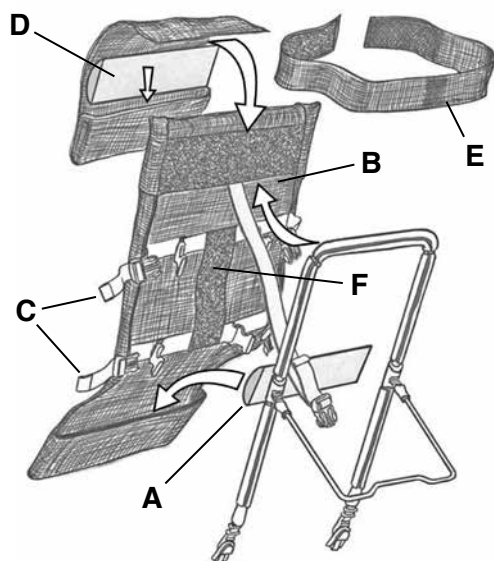
Regelmatig Schoonmaken

Na gebruik volledig opblazen en met schoon water afspoelen om zeep en onzuiverheden te verwijderen. De Surfer Bather kan schoongemaakt worden met een vloeibaar schoonmaakmiddel of desinfectiemiddel van een gedeponerd merk en drooggewreven worden of aan de lucht gedroogd worden. **Niet met hete lucht drogen.** Verwijder de schuimstof inzetstukken en was de rugleuning netten en riemen in overeenstemming met de instructies op het etiket. De schuimstof inzetstukken moeten met de hand in warm water gewassen worden met zeep en grondig afgespoeld worden in schoon water om alle zeepresten te verwijderen. Knijp voorzichtig in de schuimstof om overtollig water te verwijderen en laat aan de lucht drogen.

De Platform Mat mag alleen op de hand in warm water gewassen worden met een mild reinigingsmiddel en grondig afgespoeld worden in schoon water en dan aan de lucht gedroogd worden (het oppervlak van de mat kan afgeveegd worden om overtollig water te verwijderen – niet wringen of in een centrifuge doen) – **Niet met hete lucht drogen.**

Desinfecteren

Alle onderdelen moeten van te voren schoongemaakt zijn (met de balg volledig opgeblazen) door ze met schoonmaakmiddel en water te wassen en vervolgens te desinfecteren met of een bleekwateroplossing of een met alcohol geïmpregneerde doek die geschikt is voor harde oppervlakten. Afspoelen na desinfecteren. **Niet met hete lucht drogen.**



10

Net na het wassen vastmaken aan het frame van de rugleuning

- Steek het schuim voor dijondersteuning (**A** afb. 10) in het onderste vak van het ne.
- Steek het frame van de rugleuning in het vak van het net (**B**) en maak de vier gespen vast (**C**).
- Trek de gespen strakker aan of maak ze losser om de spanning van het net op het frame van de rugleuning aan te passen.
- Steek het schuim van de hoofddeun (**D**) in het vak van het hoofddeunnet en maak, indien dit nodig is, de hoofddeun met klittenband vast aan de rugleuning.
- De fixatieband (**E**) kan vastgemaakt worden aan het klittenbandvlak (**F**) indien dit nodig is.

Transport/Opslag

Ontkoppel de Airflo compressor van de Surfer Bather voor transport om onbedoeld opblazen van de badlift te voorkomen.

Zorg ervoor dat de Surfer Bather schoon en goed droog is voordat u deze opbergt. Het niet goed drogen van de Surfer Bather vóór opslag kan leiden tot schimmel op het oppervlak van het product, wat kan leiden tot verzwakking van het weefsel, waardoor de productgarantie vervalt. Opslaan in een droge omgeving.

Om de Airflo accu op peil te houden moet de Airflo om de 3 maanden één nacht lang worden opgeladen.

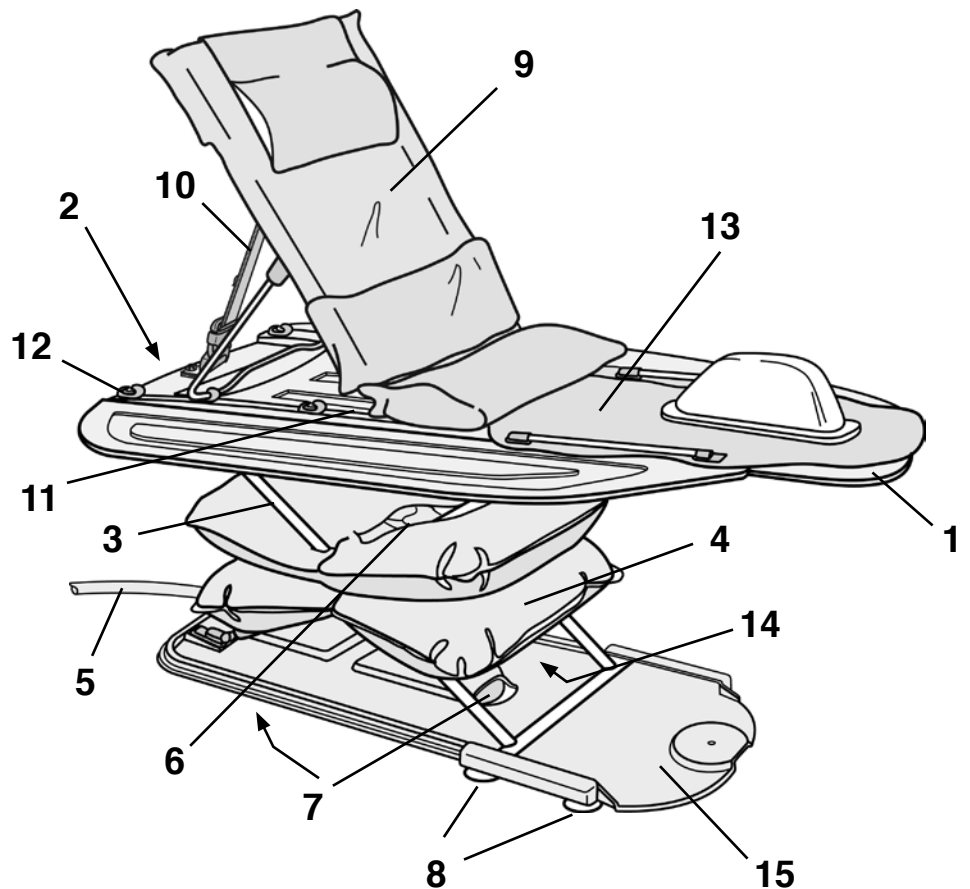
Weggoien/Recyclen

Wanneer de Surfer Bather het einde van zijn levensduur heeft bereikt, doe deze dan weg bij uw plaatselijke recyclingcentrum voor huishoudelijk afval (afvalscheidingstation).

Aan het einde van zijn levensduur van de Airflo, de accu's verwijderen en in overeenstemming met de plaatselijke richtlijnen veilig afvoeren naar uw plaatselijke recyclingcentrum voor huishoudelijk afval (afvalscheidingstation).

Onderdelenlijst

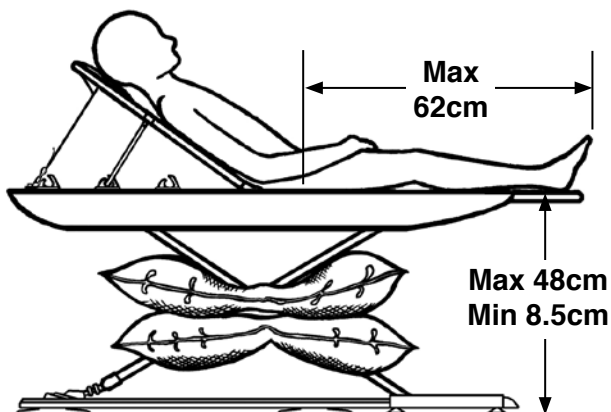
1. Platform
2. Platformgreep
3. Samenstelling schaar
4. Balg
5. Lucht slang
6. Balggesp
7. Grote zuignappen
8. Kleine zuignappen
9. Samenstelling rugleuning
10. Vastzetriem voor de rugleuning
11. Rugleuningscharnier
12. Rugleuninggreep
13. Platformkussen
14. Ontlastklep
15. Schuifstuk



Om voor uw Surfer Bather te zorgen controleert u regelmatig of:

- De balggesp (6) goed is vastgemaakt en de balgen (4) onbeschadigd zijn.
- De platformgrepen (2) goed vastgemaakt en onbeschadigd zijn.
- De luchtslang (5) onbeschadigd is.
- Beide grote zuigers (7) onbeschadigd en goed vastgemaakt zijn.
- Beide kleine zuignappen (8) onbeschadigd zijn en vrij kunnen draaien.
- De ontlastklep (14) niet geblokkeerd is en ontlucht wanneer de balg volledig opgeblazen is.
- De rugleuningscharnieren (11) en grepen (12) onbeschadigd zijn en goed vastzitten in de gleuven.
- De Surfer Bather en accessoires schoongehouden worden.

Probleemoplossing	
Probleem	Oplossing
<ul style="list-style-type: none"> Indien de Surfer Bather niet opgeblazen wordt, of niet op de gekozen hoogte blijft staan, controleer dan of 	<ul style="list-style-type: none"> De luchtslang op de juiste wijze aangesloten is en of de handbediening op de juiste wijze is aangesloten op de compressor. Er geen knik of blokkering in de luchtslang zit. De onlastklep correct werkt.
<ul style="list-style-type: none"> Compressor werkt niet wanneer 'Omhoog' is geselecteerd op de handbediening. 	<ul style="list-style-type: none"> Zorg ervoor dat de luchtslang van de Surfer Bather is aangesloten op de Airflo.
<ul style="list-style-type: none"> Compressor blijft stoppen tijdens het opblazen van de Badlift. 	<ul style="list-style-type: none"> Controleer of er geen knikken in de luchtslang zitten.
<ul style="list-style-type: none"> Accu-indicator knippert 'Rood/Groen'. 	<ul style="list-style-type: none"> Dit gebeurt wanneer de overbelastingsbeveiliging heeft gewerkt. Wacht 3 seconden op de automatische reset.
<ul style="list-style-type: none"> Accu-indicator knippert 'Rood'. 	<ul style="list-style-type: none"> Dit gebeurt wanneer de interne temperatuurbeveiliging van de compressor heeft gewerkt. Laat de Airflo 60-90 minuten afkoelen.



Specificaties

Maximale gewicht gebruiker:	50kg
Aanbevolen Maximale gebruikerslengte:	135cm
Platformhoogte (min/max):	8.5 cm – 48 cm
Hoek Rugleuning:	Van plat tot maximaal 70°
Gewicht platformsamenstelling:	4.2 kg
Gewicht schaarheftafelsamenstelling:	5.5 kg
Totaalgewicht in draagtas:	9.7 kg
Maximale Luchtdruk:	0.35 bar

Symbolen gebruikt in de handleiding en op de Surfer Bather



Waarschuwing – Lees de handleiding voor gebruikt



'Omhoog' knop



'Omlaag' knop



Type BF-apparatuur (bescherming tegen elektrische schokken)

Garantie

De garantie wordt gegeven tegen materiaal- en constructiedefecten en bestaat uit stuk, onderdelen en arbeid. De garantie is niet geldig in het geval van normale slijtage, opzettelijke schade, verwaarlozing, misbruik of onbevoegde aanpassing of reparatie door onbevoegden.

De volgende verklaringen hebben geen invloed op de wettelijke rechten van de consument. Dit product wordt verkocht op voorwaarde dat in het geval van een materiaal- en constructiedefect binnen de garantieperiode, het defect kosteloos wordt verholpen mits:

- (a) Redelijk bewijs wordt geleverd (bijv. aankoopfactuur, pakbon) dat de claim plaatsvindt binnen de garantieperiode.
- (b) Het defect niet te wijten is aan accidentele schade (hetzij in transport of anderszins), verkeerd gebruik of niet goedgekeurde reparatie.

Surfer Bather serie nummer:

Datum van aankoop:

Factuur/Afleveringsnota nummer:

Mangar International behoudt zich het recht voor om zonder kennisgeving product specificaties te veranderen en/of enigerlei informatie die dit document bevat.

DECLARATION OF CONFORMITY

This is to certify that :-

The Surfer Bather - HSA0141
and its accessories

complies with:-

*The requirements for Class 1 devices of the Medical Devices
Directive 93/42/EEC as amended by 2007/47/EC*

Signed:



Date: August 2010

A. Barker Managing Director

Mangar International
Presteigne, Powys, Wales, UK. LD8 2UF
tel: +44 (0)1544 267674
fax: +44 (0)1544 260287
headoffice@mangar.co.uk
www.mangar.co.uk

Mangar
INTERNATIONAL



Simple solutions for everyday independence

Mangar
INTERNATIONAL

Mangar International

Presteigne, Powys, Wales, LD8 2UF
United Kingdom

tel: +44 (0)1544 267674

fax: +44 (0)1544 260287

e-mail: sales@mangar.co.uk

www.mangar.co.uk

www.mangarhealth.com